

Product Information

FS1002 - Sit on Dragon Spring Rocker

BS EN 1176 - Designed to British & European Standards

MATERIALS

- Panel** - High Density Polyethylene (HDPE)
- PolyDek** - HDPE with a smooth rubber top surface
- Spring & Brackets** - Powder coated steel
- Ground Anchor** - Galvanised steel

SUPPLY METHOD

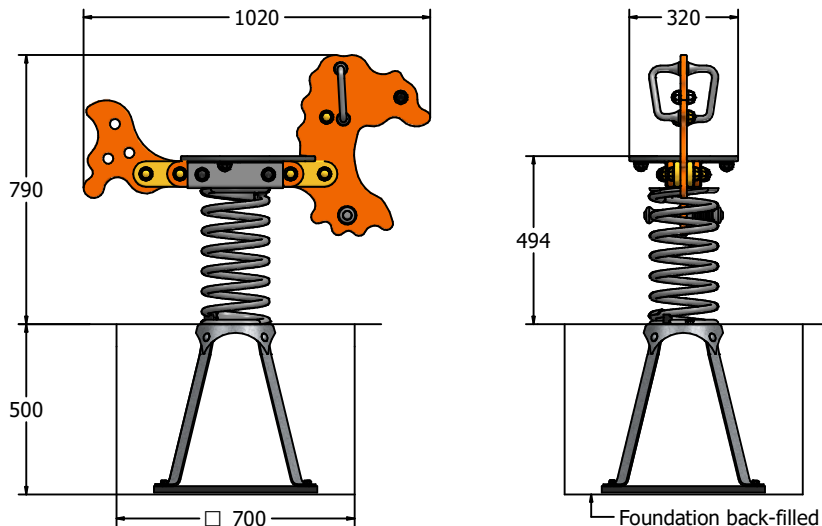
- Dragon & Seat Assembly** - Assembled with fixing pack
- 400mm Spring Assembly** - Fully assembled
- Ground Anchor** - Loose component with fixings

FEATURES

-  **SPRING** - Dragon spring rocker



DIMENSIONS



TECHNICAL

- Age Range:** 2+ Years
- Largest Part:** Dragon Assembly - 530 x 1020 x 204mm
- Heaviest Part:** Spring Assembly - 20kg Approx.
- Total Weight:** 30kg Approx.
- FFH (Free Fall Height):** 494mm
- Surfacing:** 1m from extrememes of equipment with a Critical Fall Height in excess of 494mm

IMPORTANT: you must specify the colour option you require at the time of order if it is different from the colour listed/shown above, requirements are subject to availability at the time of order