

# Product Information

## FIVMC8-AL-WP - Virtuoso Multi Chimes (8 Piece Set)

BS EN 1176 - Designed to British & European Standards

### MATERIALS

**Panels** - Two Colour  High Density Polyethylene (HDPE)

**Post** - Extruded aluminium post with powder coat finish

**Chimes** - Anodised aluminium with a brushed finish

### SUPPLY METHOD

**Chimes & Posts** - Fully assembled

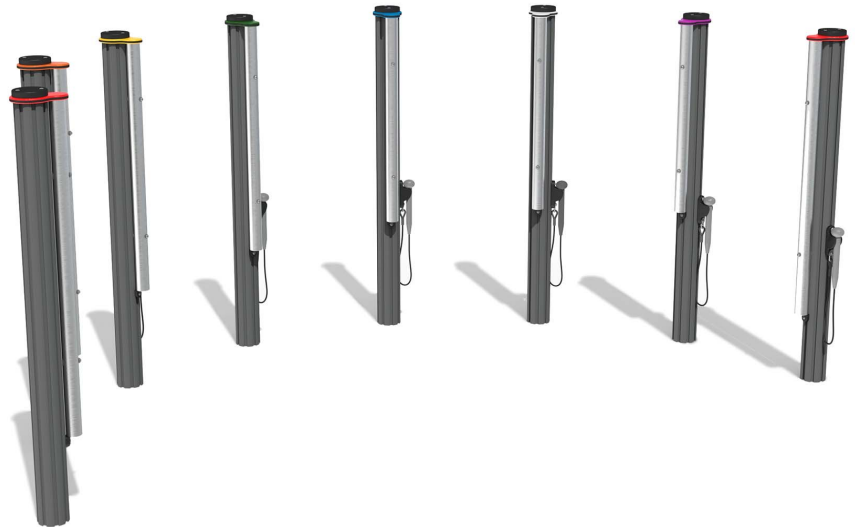
### FEATURES



**INCLUSIVE** - Chimes positioned at easily accessible height

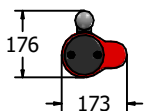


**MUSICAL** - Set of 8 musically tuned chimes

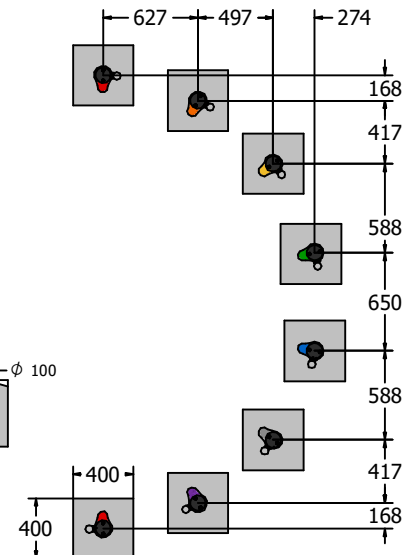
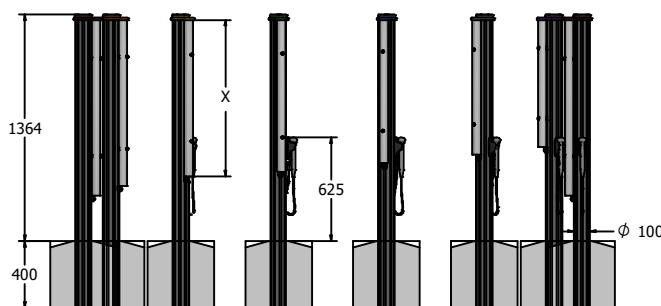


Each Chime Complete with Beater & Holder

### DIMENSIONS



Tube Length (x)		
Note	Length (mm)	Colour
C4	1062.5	Red/Black
D4	1002.5	Orange/Black
E4	945	Yellow/Black
F4	916	Green/Black
G4	865	Blue/Black
A4	815	Grey/Black
B4	768	Violet/Black
C5	746	Red/Black



### TECHNICAL

**Age Range:** 2+ Years  
**Largest Part:** Assembled Posts (x8): 1764x176x173mm  
**Heaviest Part:** Single Assembled Post: 10kg Approx.  
**Total Weight:** 80kg Approx.  
**Surfacing:** N/A

IMPORTANT: you must specify the colour option you require at the time of order if it is different from the colour listed/shown above, requirements are subject to availability at the time of order