

Product Information

FIVMC4-AL-WP - Virtuoso Multi Chimes (4 Piece Set)

BS EN 1176 - Designed to British & European Standards

MATERIALS

Panels - Single Colour High Density Polyethylene (HDPE)

Post - Extruded aluminium post with powder coat finish

Chimes - Anodised aluminium with a brushed finish

SUPPLY METHOD

Chimes & Posts - Fully assembled

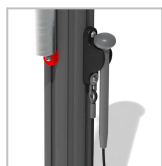
FEATURES



INCLUSIVE - Chimes positioned at easily accessible height



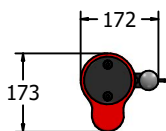
MUSICAL - Set of 4 musically tuned chimes



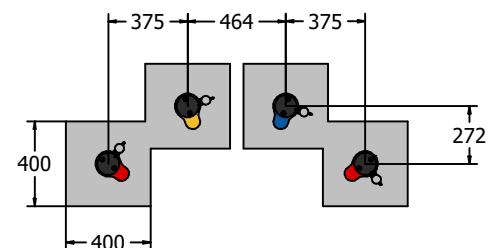
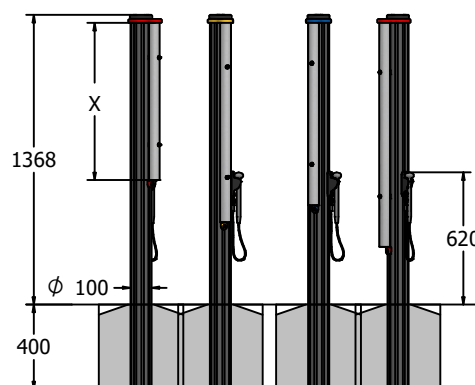
Each Chime Complete with Beater & Holder



DIMENSIONS



Tube Length (x)		
Note	Length (mm)	Colour
C4	1062.5	Red
E4	945	Yellow
G4	865	Blue
C5	746	Red



TECHNICAL

Age Range: 2+ Years
Largest Part: Assembled Posts (x4): 1770x172x173mm
Heaviest Part: Single Assembled Post: 10kg Approx.
Total Weight: 40kg Approx.
Surfacing: N/A

IMPORTANT: you must specify the colour option you require at the time of order if it is different from the colour listed/shown above, requirements are subject to availability at the time of order