

Product Information

FIVBOT-AL-WP - Virtuoso Bongo Tree with Alu Post

BS EN 1176 - Designed to British & European Standards

MATERIALS

Panels - Two Colour High Density Polyethylene (HDPE)

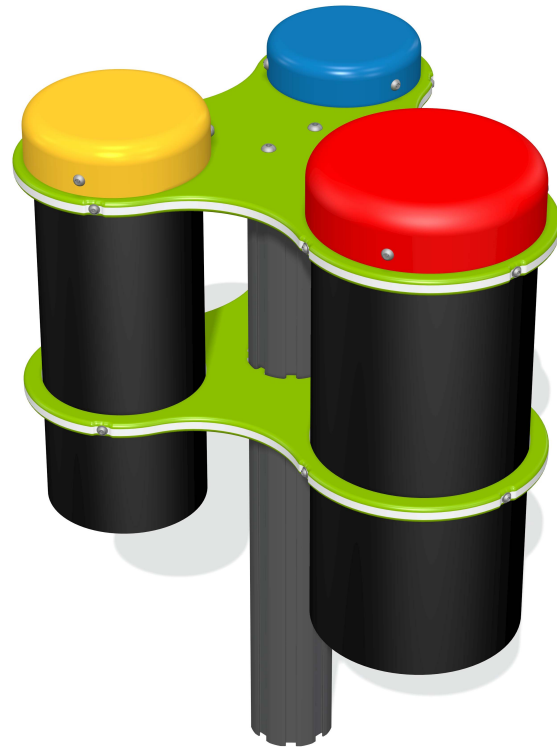
Bongos - High Density Polyethylene (HDPE)

Post - Extruded aluminium post with powder coat finish

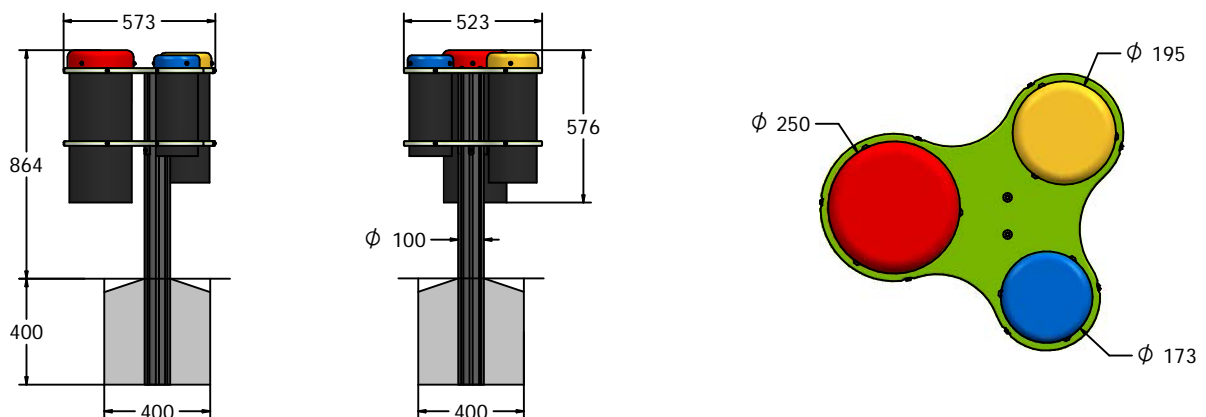
SUPPLY METHOD

Bongos & Panels - Pre-assembled

Post - Separately with fixings



DIMENSIONS



TECHNICAL

Age Range: 2+ Years
Largest Part: 3-Drum Assembly: 576x573x523mm
Heaviest Part: 3-Drum Assembly: 8.5kg Approx.
Total Weight: 13.5kg Approx.
Surfacing: N/A

IMPORTANT: you must specify the colour option you require at the time of order if it is different from the colour listed/shown above, requirements are subject to availability at the time of order