


Product Information

FITSFISHIN - Tile Slide Fish Insert

BS EN 1176 - Designed to British & European Standards

MATERIALS

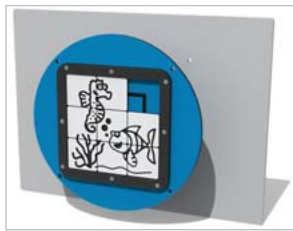
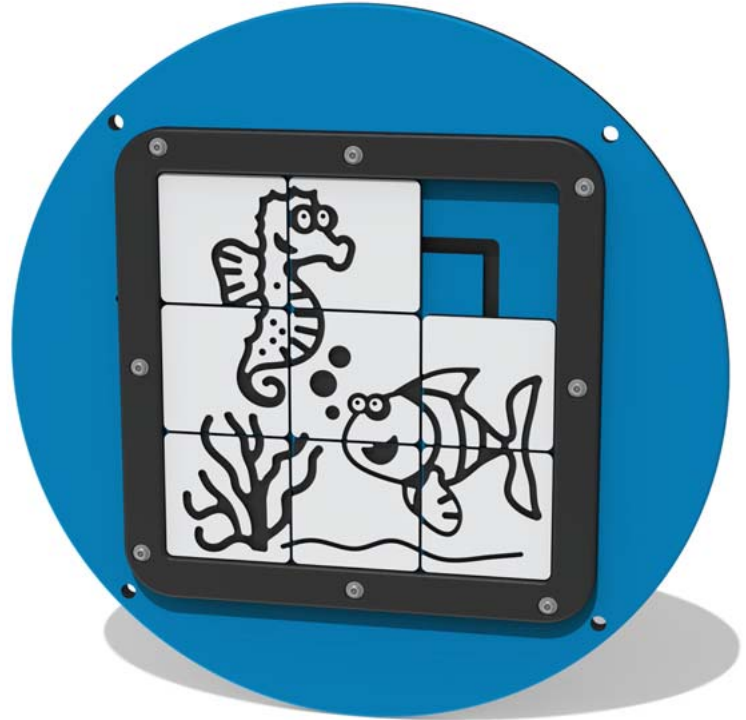
Panel - Two Colour  High Density Polyethylene (HDPE)

SUPPLY METHOD

Insert - Fully assembled

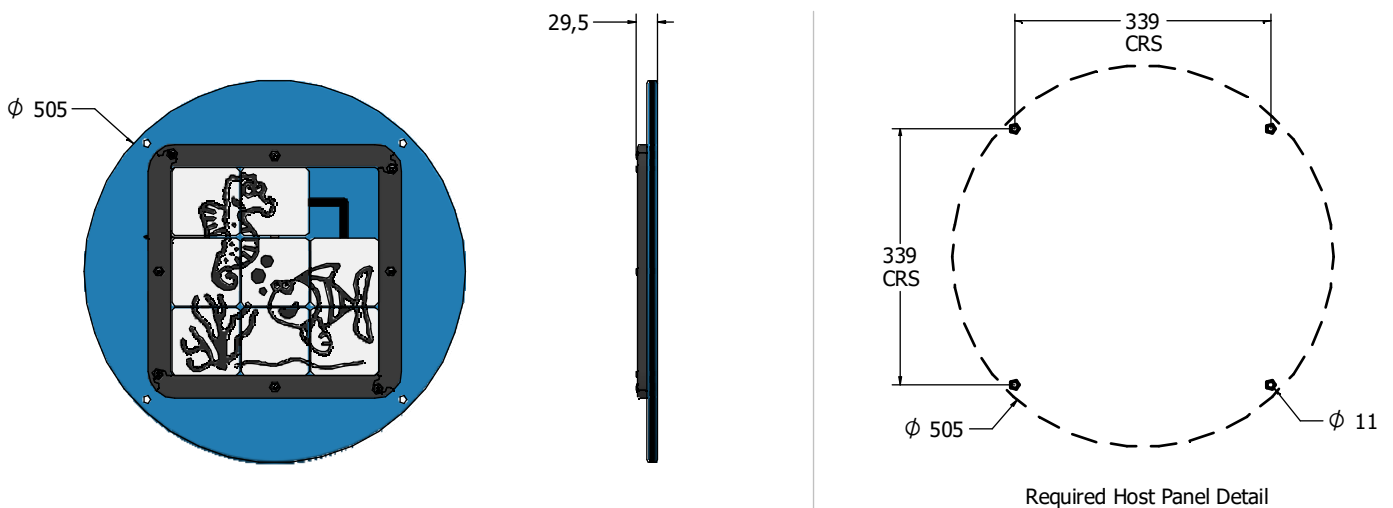
FEATURES

 **SLIDERS** - Tile slide fish puzzle



Insert can easily attach to your own panel

DIMENSIONS



TECHNICAL

Age Range: 2+ Years
 Largest Part: $\varnothing 505 \times 29.5\text{mm}$
 Total Weight: 4.5kg Approx.
 Surfacing: N/A

IMPORTANT: you must specify the colour option you require at the time of order if it is different from the colour listed/shown above, requirements are subject to availability at the time of order