

# Product Information

## FISWRR - River Run

BS EN 1176 - Designed to British & European Standards

### MATERIALS

**Panel** - Two Colour High Density Polyethylene (HDPE)

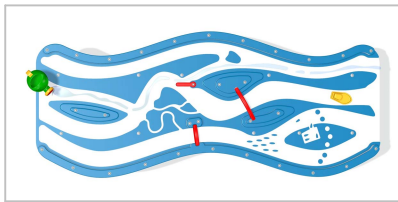
**Recycled Posts** - Recycled plastic with a textured finish

### SUPPLY METHOD

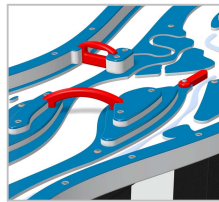
**River Run Bed** - Pre-assembled

**Posts + Fixings** - Separately

**Basin** - Pre-assembled with loose liner

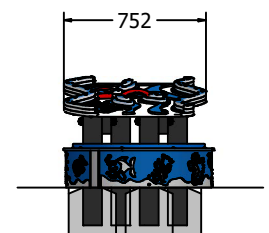
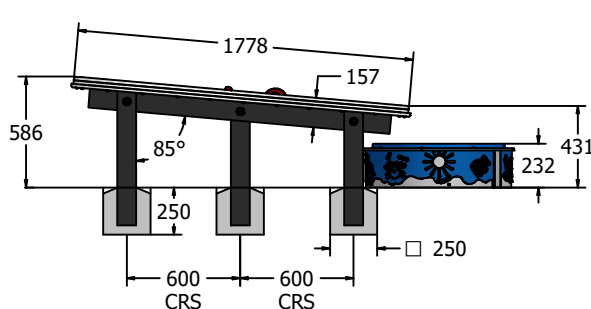
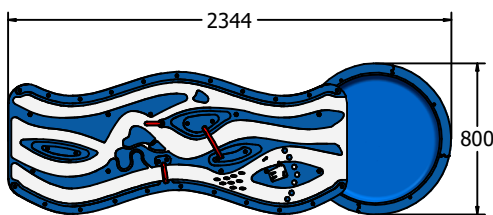


Meandering River Routes



Dam, Bridge & Gate play features

## DIMENSIONS



## TECHNICAL

<b>Age Range:</b>	2+ Years
<b>Largest Part:</b>	Table Top Assembly - 1778 x 752 x 157mm
<b>Heaviest Part:</b>	Table Top Assembly - 36kg Approx.
<b>Total Weight:</b>	80kg Approx.
<b>Surfacing:</b>	N/A

IMPORTANT: you must specify the colour option you require at the time of order if it is different from the colour listed/shown above, requirements are subject to availability at the time of order