

# Product Information

## FISTRUCURVROCKY - Curved Rocky Split Traverse Wall

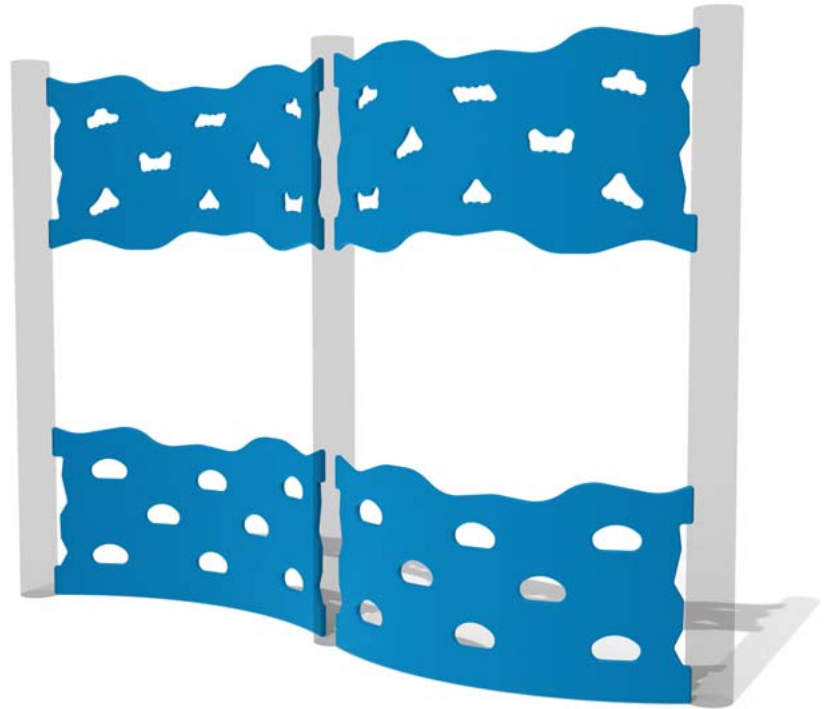
BS EN 1176 - Designed to British & European Standards

### MATERIALS

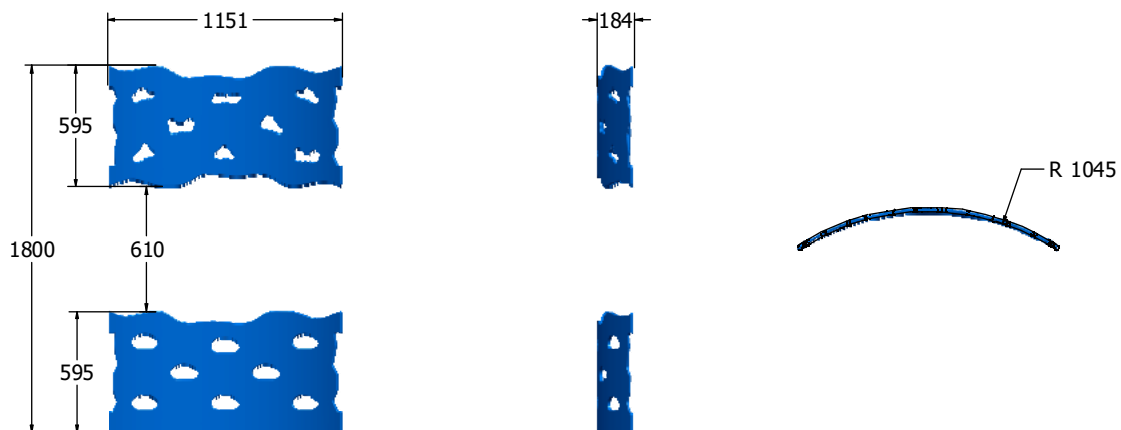
Panels - High Density Polyethylene (HDPE)

### SUPPLY METHOD

Traverse Wall - Single panels (x4)



### DIMENSIONS



### TECHNICAL

Age Range: 5+ Years  
 Largest Part: Individual Panel - 1151 x 595 x 184mm  
 Heaviest Part: Individual Panel - 8kg Approx.  
 Total Weight: 32kg Approx.  
 Surfacing: N/A

IMPORTANT: you must specify the colour option you require at the time of order if it is different from the colour listed/shown above, requirements are subject to availability at the time of order