

Product Information

FISTOPWATCHIN - Solar Stopwatch Insert

BS EN 1176 - Designed to British & European Standards

MATERIALS

Panel - Two Colour High Density Polyethylene (HDPE)

SUPPLY METHOD

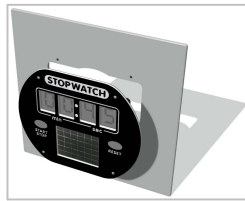
Insert - Fully assembled



Ensure the Stopwatch solar panel is installed facing the sun position at midday.

Locate away from trees, buildings or any structure which may cast a shadow over the solar panel

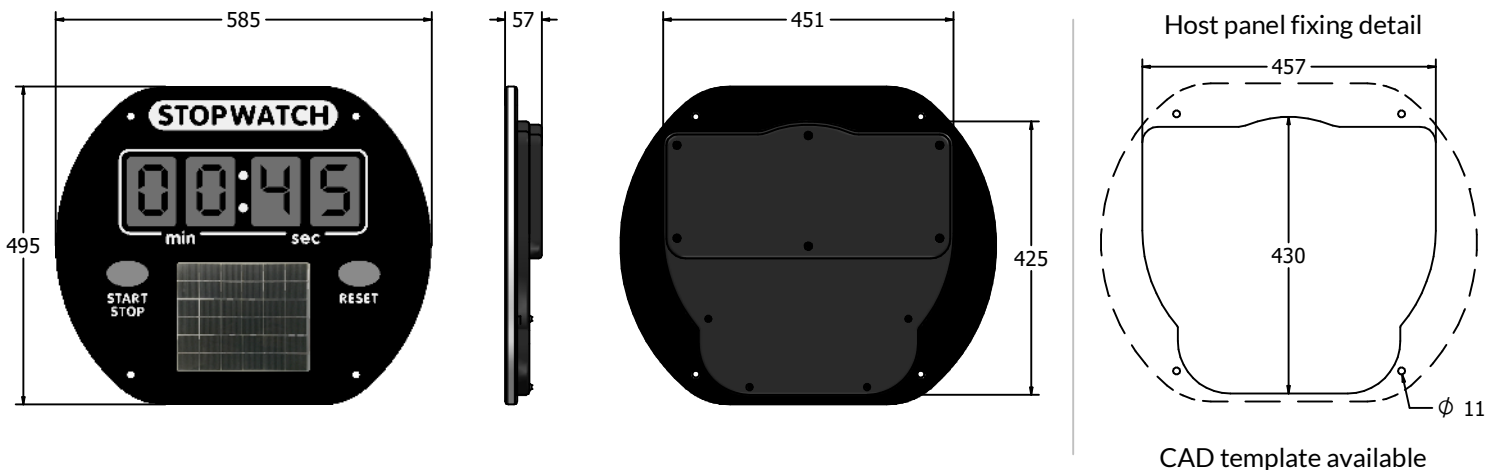
Operating temperature between 0 and 85°C



Insert can be easily attached to your own panel



DIMENSIONS



TECHNICAL

Age Range: 2+ Years
 Largest Part: FISTOPWATCHIN - 495 x 585 x 57mm
 Total Weight: FISTOPWATCHIN - 7kg Approx.
 Surfacing: N/A

IMPORTANT: you must specify the colour option you require at the time of order if it is different from the colour listed/shown above, requirements are subject to availability at the time of order