

Product Information

FISPIRALIN - Spiral Shifter Insert

BS EN 1176 - Designed to British & European Standards

MATERIALS

Panel - Two Colour High Density Polyethylene (HDPE)


Windows - Clear Polycarbonate

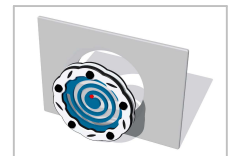
SUPPLY METHOD

Insert - Fully assembled

FEATURES

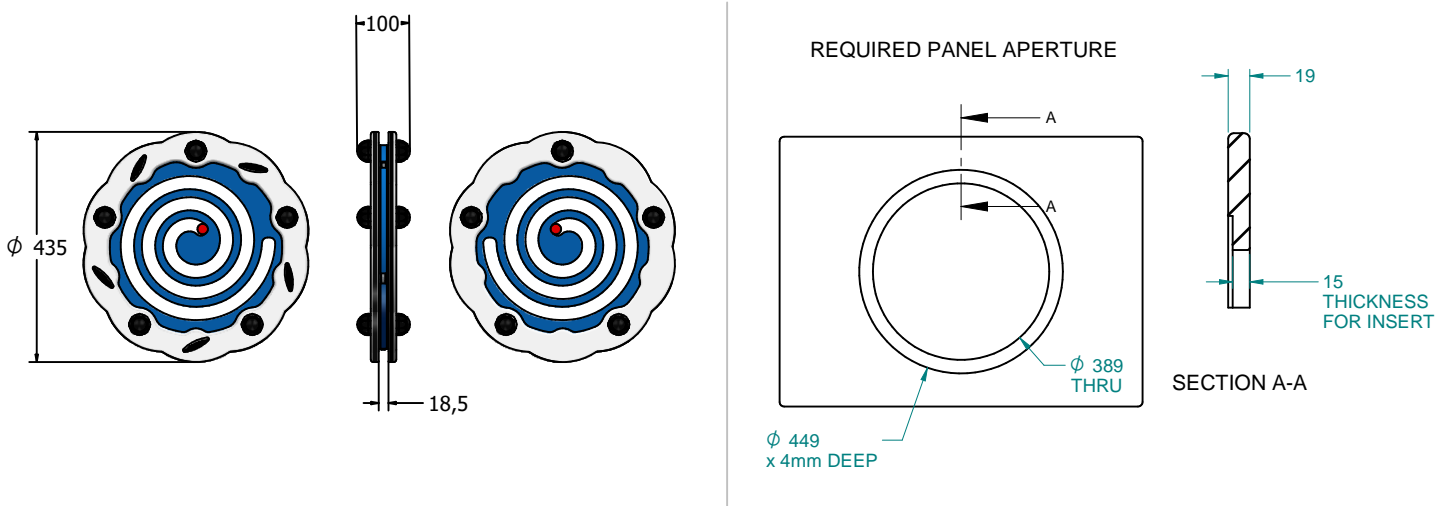
 **ROTATE** - 360° turn insert

 **VISUAL** - Spinning spiral pattern



Insert can be easily attached to your own panel

DIMENSIONS



TECHNICAL

Age Range: 2+ Years
 Largest Part: FISPIRALIN - $\phi 435$ x 100mm
 Total Weight: FISPIRALIN - 4.3kg Approx.
 Surfacing: N/A

IMPORTANT: you must specify the colour option you require at the time of order if it is different from the colour listed/shown above, requirements are subject to availability at the time of order