

Product Information

FIRAINSMIN - Mini Make it Rain Insert

BS EN 1176 - Designed to British & European Standards

MATERIALS

Panel - Two Colour High Density Polyethylene (HDPE)

Windows - Clear Polycarbonate

Balls - Stainless steel with polish finish

SUPPLY METHOD

Insert - Fully assembled

FEATURES



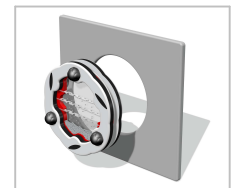
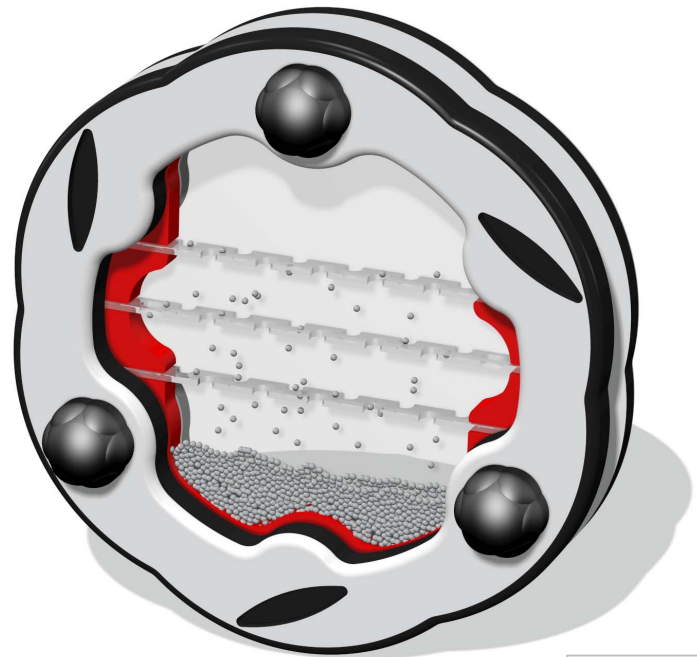
ROTATE - 360° turn insert



VISUAL - Falling metal balls

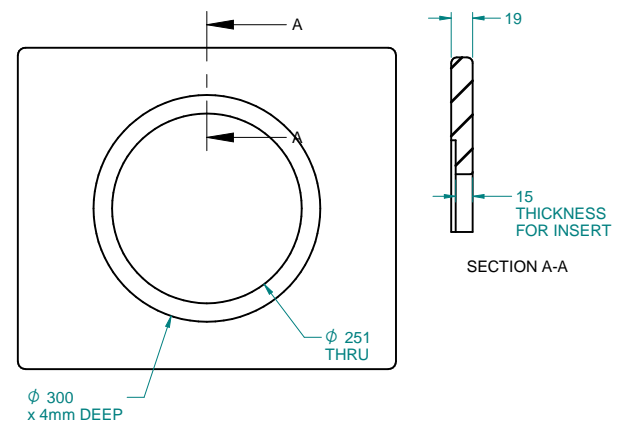
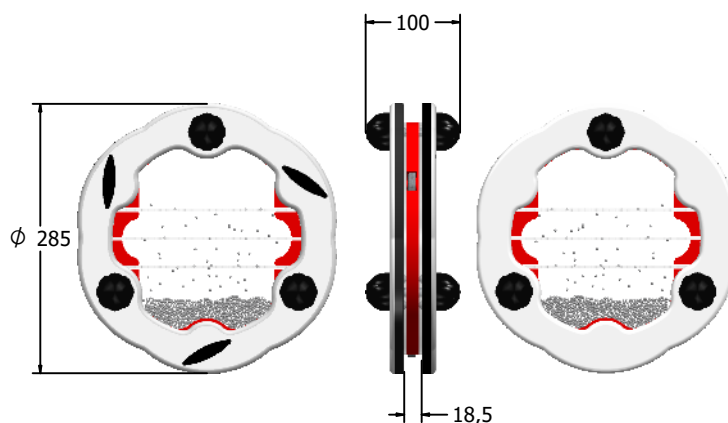


SOUND - 'Pitter-Patter' Rainfall sound



Insert can be easily attached to your own panel

DIMENSIONS



REQUIRED PANEL APERTURE

TECHNICAL

Age Range: 2+ Years
Largest Part: FIRAINSMIN - $\phi 285 \times 100$ mm
Total Weight: FIRAINSMIN - 1.95kg Approx.
Surfacing: N/A

IMPORTANT: you must specify the colour option you require at the time of order if it is different from the colour listed/shown above, requirements are subject to availability at the time of order