

Product Information

FIRAININ - Make it Rain Insert

BS EN 1176 - Designed to British & European Standards

MATERIALS

Panel - Two Colour High Density Polyethylene (HDPE)

Windows - Clear Polycarbonate

Balls - Stainless steel with polish finish

SUPPLY METHOD

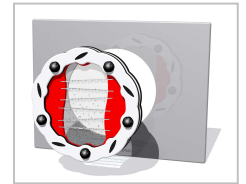
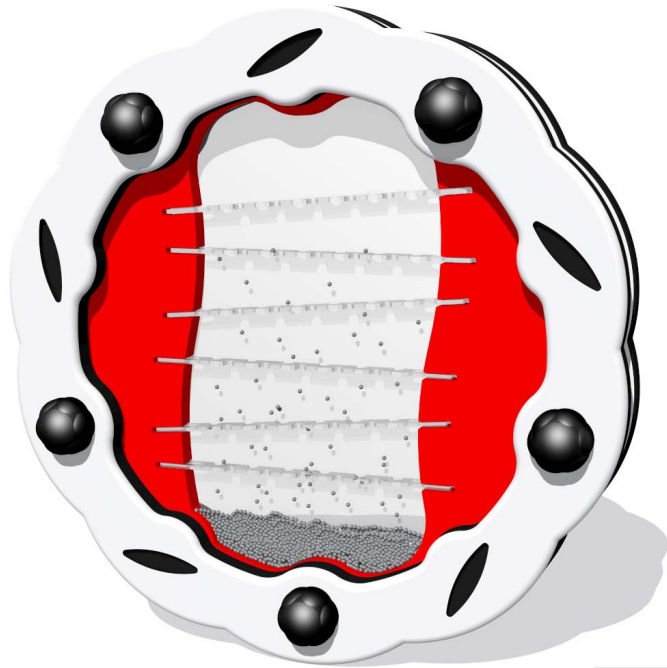
Insert - Fully assembled

FEATURES

 **ROTATE** - 360° turn insert

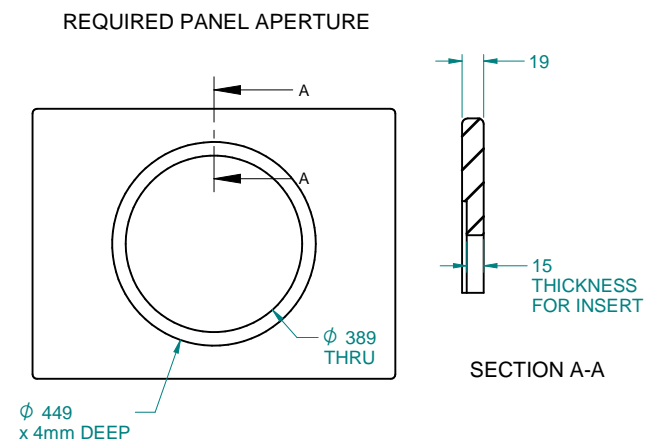
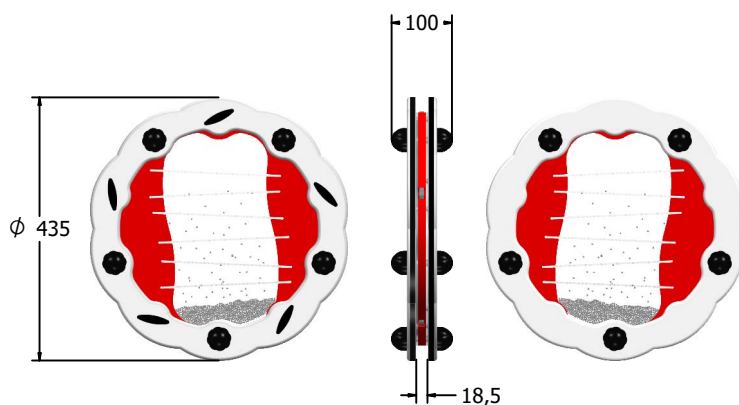
 **VISUAL** - Falling metal balls

 **SOUND** - 'Pitter-Patter' Rainfall sound



Insert can be easily attached to your own panel

DIMENSIONS



TECHNICAL

Age Range: 2+ Years
Largest Part: FIRAININ - $\phi 435 \times 100\text{mm}$
Total Weight: FIRAININ - 4.3kg Approx.
Surfacing: N/A

IMPORTANT: you must specify the colour option you require at the time of order if it is different from the colour listed/shown above, requirements are subject to availability at the time of order