

# Product Information

## FIPTSYNTHINRG - PlayTronic RotoGen Synthesizer Insert

BS EN 1176 - Designed to British & European Standards


### MATERIALS


Panel - Two Colour High Density Polyethylene (HDPE)

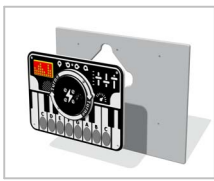
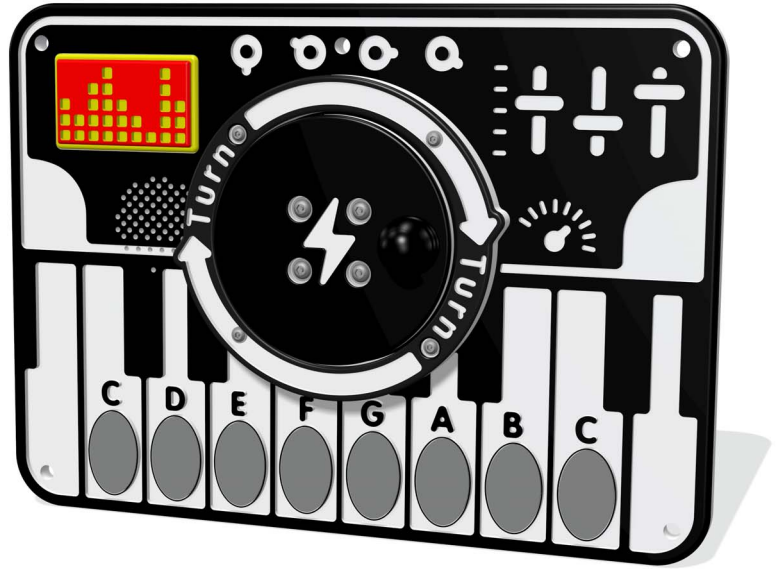
### SUPPLY METHOD

Insert - Fully assembled

### FEATURES

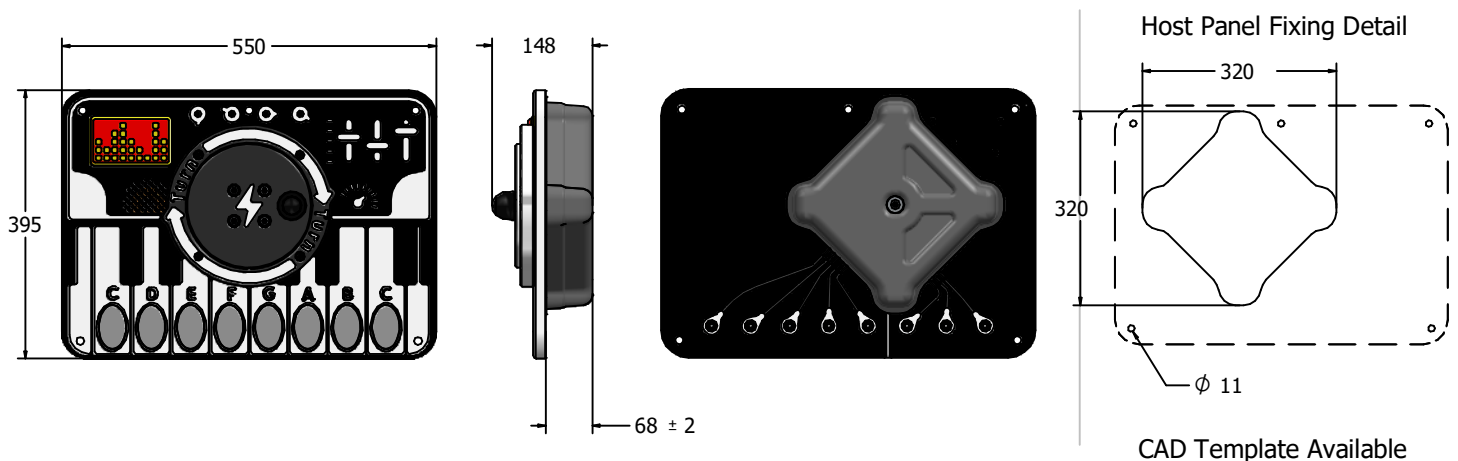
 **MUSICAL** - Listen to Synthesizer Sounds

 **ROTOGEN** - Human powered energy for electronics



Insert can be easily attached to your own panel

### DIMENSIONS



### TECHNICAL

Age Range: 2+ Years  
 Largest Part: 550 x 395 x 148mm  
 Total Weight: 5.5kg  
 Surfacing: N/A

IMPORTANT: you must specify the colour option you require at the time of order if it is different from the colour listed/shown above, requirements are subject to availability at the time of order