

# Product Information

## FIPTSHREACTIN - PlayTronic Shapes Reactions Insert

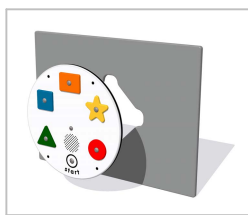
BS EN 1176 - Designed to British & European Standards

### MATERIALS

Panel - Two Colour High Density Polyethylene (HDPE)

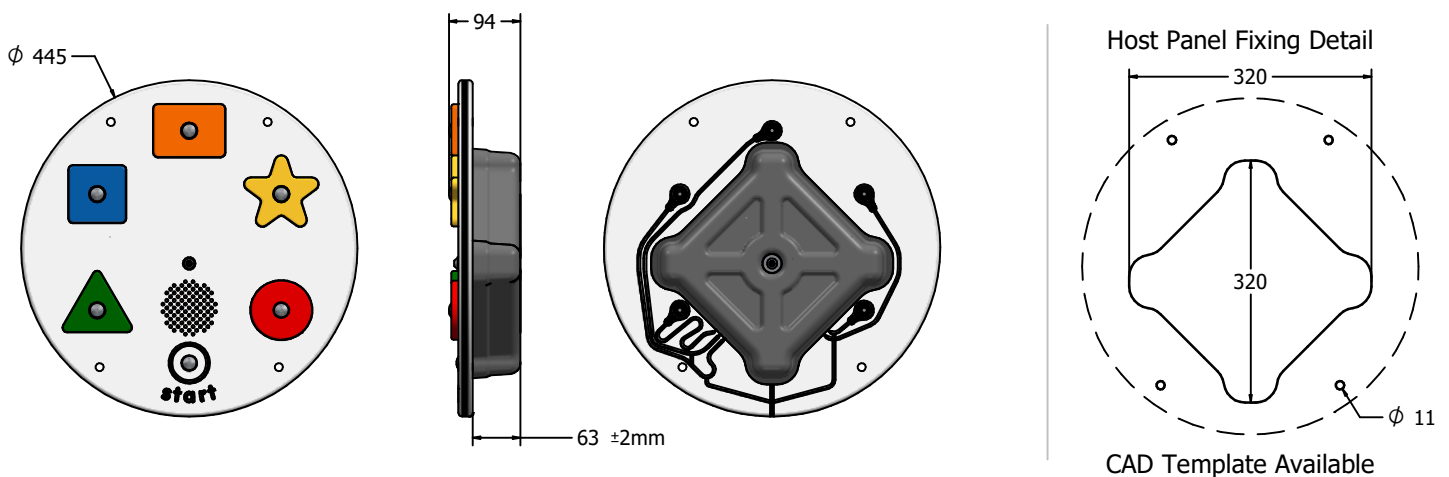
### SUPPLY METHOD

Insert - Fully assembled



Insert can be easily attached to your own panel

### DIMENSIONS



### TECHNICAL

Age Range: 2+ Years  
 Largest Part: FIPTSHREACTIN -  $\phi 445 \times 94\text{mm}$   
 Total Weight: FIPTSHREACTIN - 4kg  
 Surfacing: N/A

IMPORTANT: you must specify the colour option you require at the time of order if it is different from the colour listed/shown above, requirements are subject to availability at the time of order