

# Product Information

## FIPTMEMORYIN - PlayTronic Memory & Reactions Game Insert

BS EN 1176 - Designed to British & European Standards

### MATERIALS

Panel - Two Colour High Density Polyethylene (HDPE)

### SUPPLY METHOD

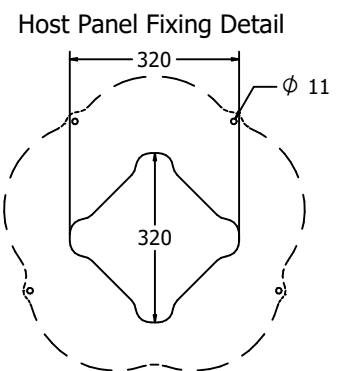
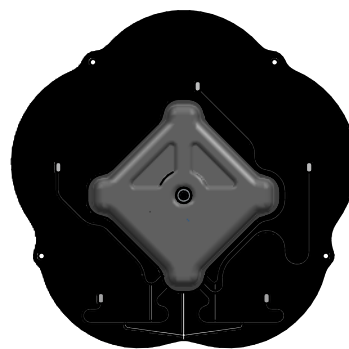
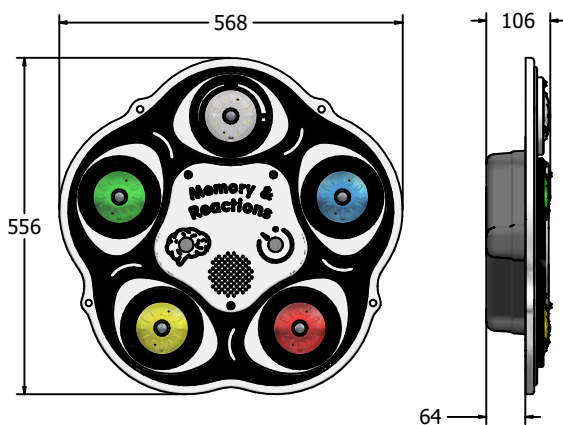
Insert - Fully assembled



Insert can be easily attached to your own panel



### DIMENSIONS



CAD Template Available

### TECHNICAL

Age Range: 2+ Years  
 Largest Part: FIPTMEMORYIN - 563 x 556 x 105mm  
 Total Weight: FIPTMEMORYIN - 5.5kg  
 Surfacing: N/A

IMPORTANT: you must specify the colour option you require at the time of order if it is different from the colour listed/shown above, requirements are subject to availability at the time of order