

Product Information

FIPTCSVOXINRG - RotoGen Buzz Reactions Game Insert

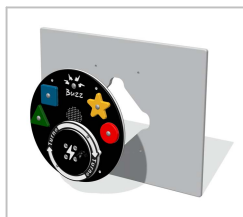
BS EN 1176 - Designed to British & European Standards

MATERIALS

Panel - Two Colour High Density Polyethylene (HDPE)

SUPPLY METHOD

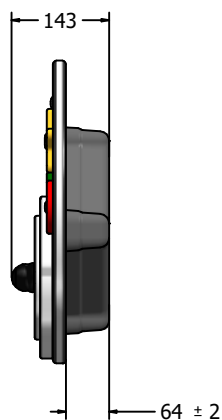
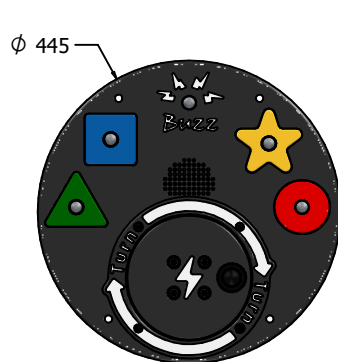
Insert - Fully assembled



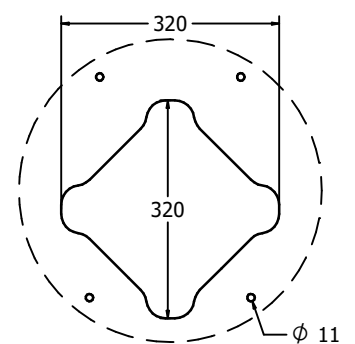
Insert can be easily attached to your own panel



DIMENSIONS



Host Panel Fixing Detail



CAD Template Available

TECHNICAL

Age Range: 2+ Years
 Largest Part: FIPTCSVOXINRG - $\phi 445 \times 143\text{mm}$
 Total Weight: FIPTCSVOXINRG - 8kg
 Surfacing: N/A

IMPORTANT: you must specify the colour option you require at the time of order if it is different from the colour listed/shown above, requirements are subject to availability at the time of order