

# Product Information

## FIPSHIPMINI - Mini Pirate Ship

BS EN 1176 - Designed to British & European Standards

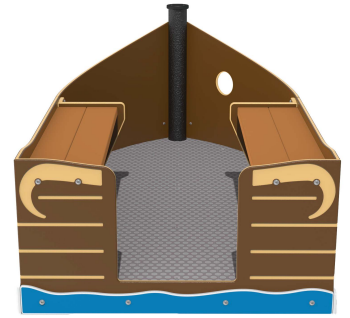
### MATERIALS

**Panels** - Two Colour High Density Polyethylene (HDPE)

**PolyDek** - HDPE with a rubber button grip top surface

**Recycled Posts** - Recycled plastic with textured finish


**LumbeRock Benches** - Recycled HDPE milk bottles with a wood grain finish



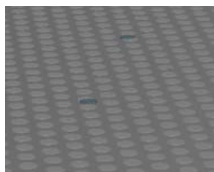
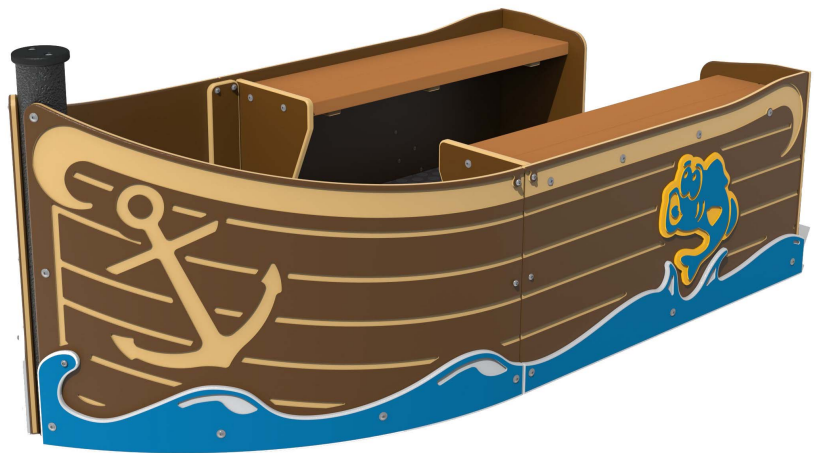
### SUPPLY METHOD

**Pirate Ship** - 2 sections with joining plates and fixings

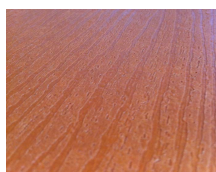
### FEATURES

 **SOCIAL** - Pirate Ship Role - Play and Seating

 **VISUAL** - Fish & Sea Plant ons

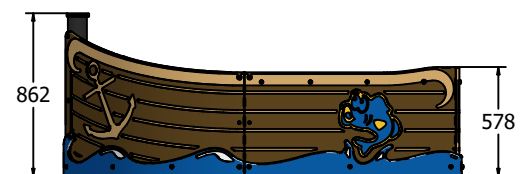
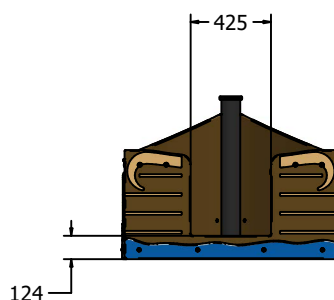
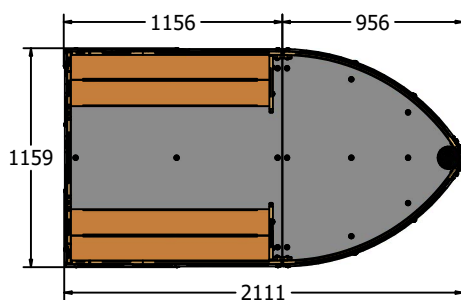


Slip Resistant Polydek



LumbeRock Benches

### DIMENSIONS



### TECHNICAL

**Age Range:** 2+ Years  
**Largest Part:** Stern Section Assembly - 1156 x 1159 x 578mm  
**Heaviest Part:** Stern Section Assembly - 91kg Approx.  
**Total Weight:** 150kg Approx.  
**Surfacing:** N/A

IMPORTANT: you must specify the colour option you require at the time of order if it is different from the colour listed/shown above, requirements are subject to availability at the time of order