

Product Information

FIPHUT - Play Hut

BS EN 1176 - Designed to British & European Standards

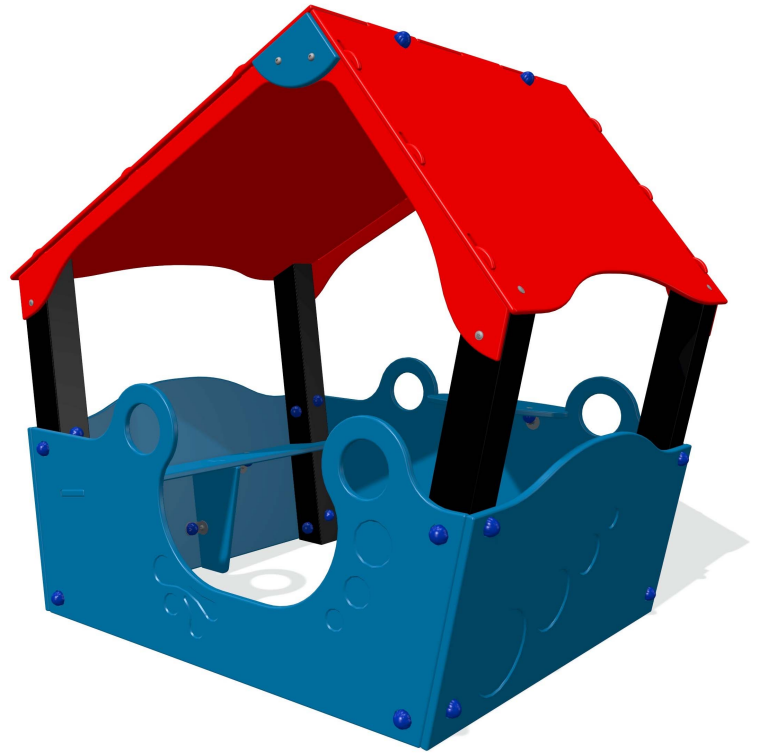
MATERIALS

Panels - High Density Polyethylene (HDPE)

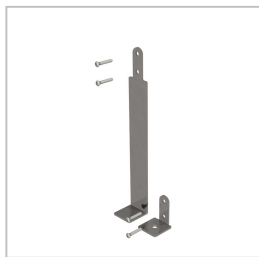
Recycled Posts - Recycled plastic with a textured finish

SUPPLY METHOD

Play Hut - Fully assembled

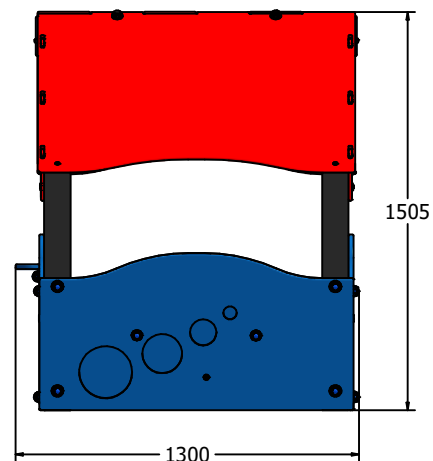
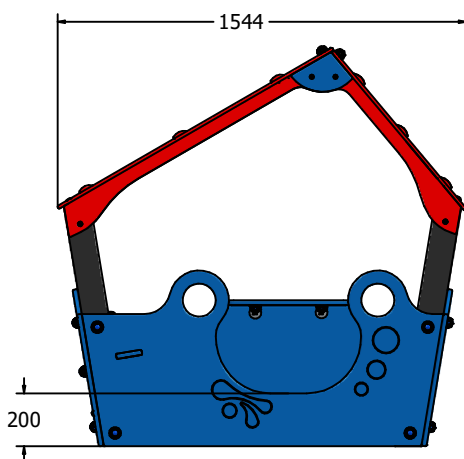


Rear shop counter to promote interactive roleplay



Surface below ground fixing sold separately

DIMENSIONS



TECHNICAL

Age Range: 2+ Years
Largest Part: Play Hut Assembly - 1544 x 1300 x 1505mm
Total Weight: 120kg Approx.
Surfacing: N/A

IMPORTANT: you must specify the colour option you require at the time of order if it is different from the colour listed/shown above, requirements are subject to availability at the time of order