

Product Information

FIPETPUMP - Petrol Pump Play Panel

BS EN 1176 - Designed to British & European Standards

MATERIALS

Panel - Two Colour  High Density Polyethylene (HDPE)

Recycled Posts - Recycled plastic with textured finish

Rope - Steel core rope sheathed with braided nylon

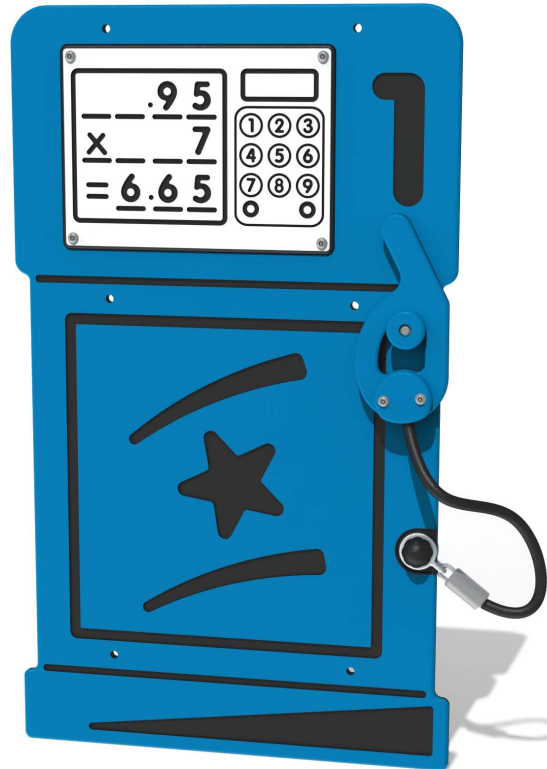
SUPPLY METHOD

Panel - Fully assembled

FEATURES

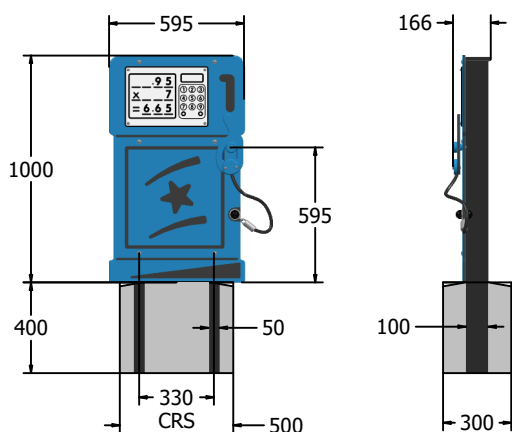


INCLUSIVE - Handle at easily accessible height

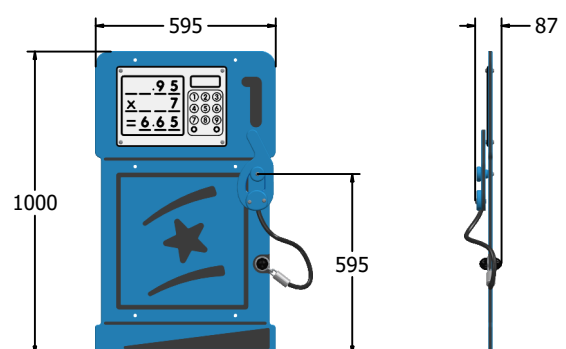


DIMENSIONS

FIPETPUMP-WP - Petrol Pump Play Panel - With Posts



FIPETPUMP - Petrol Pump Play Panel



TECHNICAL

Age Range: 2+ Years
Largest Part: Panel Assembly - 595 x 1000 x 166mm
Heaviest Part: Panel Assembly - 9.2kg
Total Weight: FIPETPUMP - 9.2kg / FIPETPUMP-WP - 20.9kg
Surfacing: N/A

IMPORTANT: you must specify the colour option you require at the time of order if it is different from the colour listed/shown above, requirements are subject to availability at the time of order