

Product Information

FIMUSHAKMIN - Mini Shaker Insert

BS EN 1176 - Designed to British & European Standards

MATERIALS

Panel - Two Colour High Density Polyethylene (HDPE)

Windows - Clear Polycarbonate

Balls - Stainless steel with polish finish

SUPPLY METHOD

Panel - Fully assembled

FEATURES



ROTATE - 360° turn insert

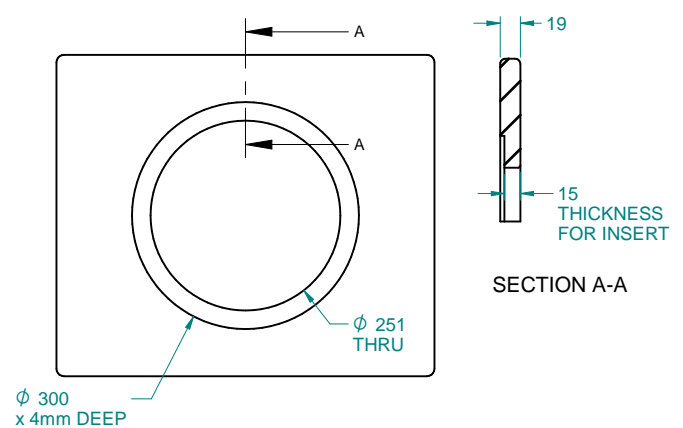
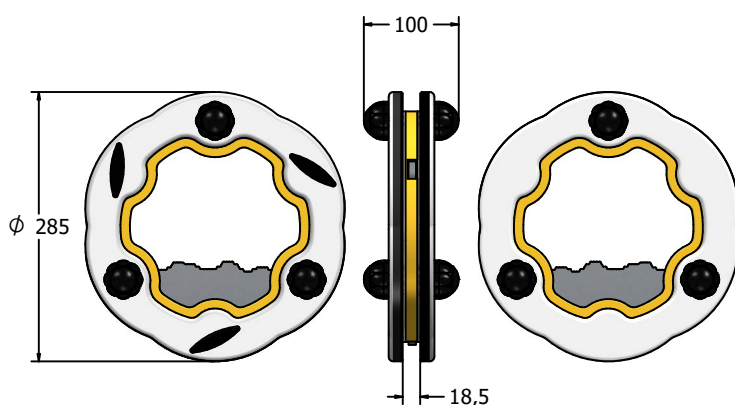


SOUND - Jingling sound from tumbling balls



Insert can be easily attached to your own panel

DIMENSIONS



REQUIRED PANEL APERTURE

TECHNICAL

Age Range: 2+ Years
Largest Part: FIMUSHAKMIN - $\phi 285 \times 100$ mm
Total Weight: FIMUSHAKMIN - 2kg Approx.
Surfacing: N/A

IMPORTANT: you must specify the colour option you require at the time of order if it is different from the colour listed/shown above, requirements are subject to availability at the time of order