

# Product Information

## FIMPTB - Multi-Play Tunnel Bridge

BS EN 1176 - Designed to British & European Standards

### MATERIALS

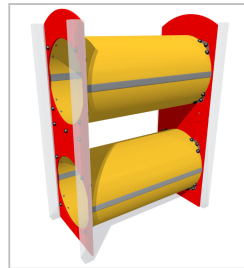
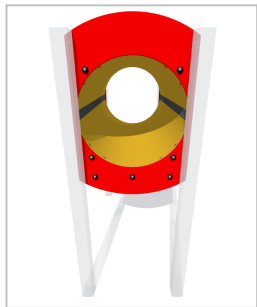
**Panel** - High Density Polyethylene (HDPE)

**Stainless Steel Brackets** - Stainless Steel with dull polish finish

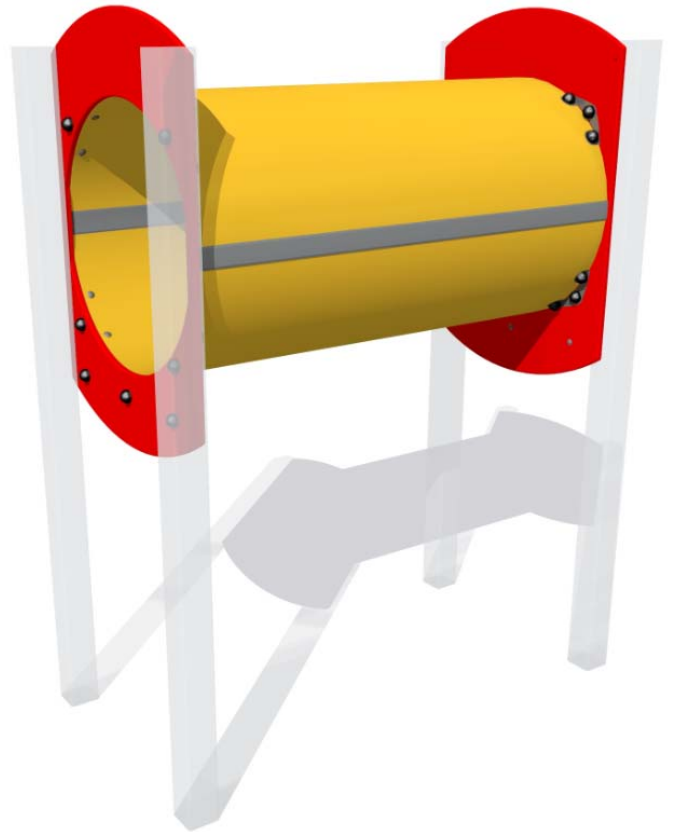
**Aluminium Supports** - Aluminium anodised to a smooth silver finish

### SUPPLY METHOD

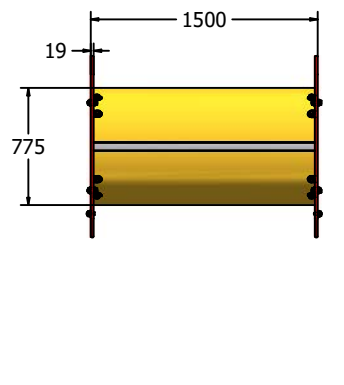
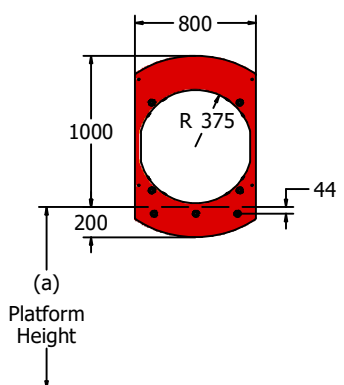
**Bridge** - Supplied with the fixings needed to attach to platform



Additional Underpass option - FIMPTU



## DIMENSIONS



(a)
600mm
900mm
1200mm
1500mm

## TECHNICAL

**Age Range:** 4+ Years

**Largest Part:** Tunnel Assembly - 1200 x 800 x 1500mm

**Heaviest Part:** Tunnel Assembly - Approx. 66Kg

**Total Weight:** Approx. 66Kg

**Surfacing:** 1.5m from the extents of the equipment with a critical fall height in excess of (a) + 775mm. If higher than 1.5m surfacing extents will increase, consult BS EN 1176 for details

IMPORTANT: you must specify the colour option you require at the time of order if it is different from the colour listed/shown above, requirements are subject to availability at the time of order