

Product Information

FIMPTB-15 - Multi-Play Tunnel Bridge

BS EN 1176 - Designed to British & European Standards

MATERIALS

Panel - Two Colour  High Density Polyethylene (HDPE)

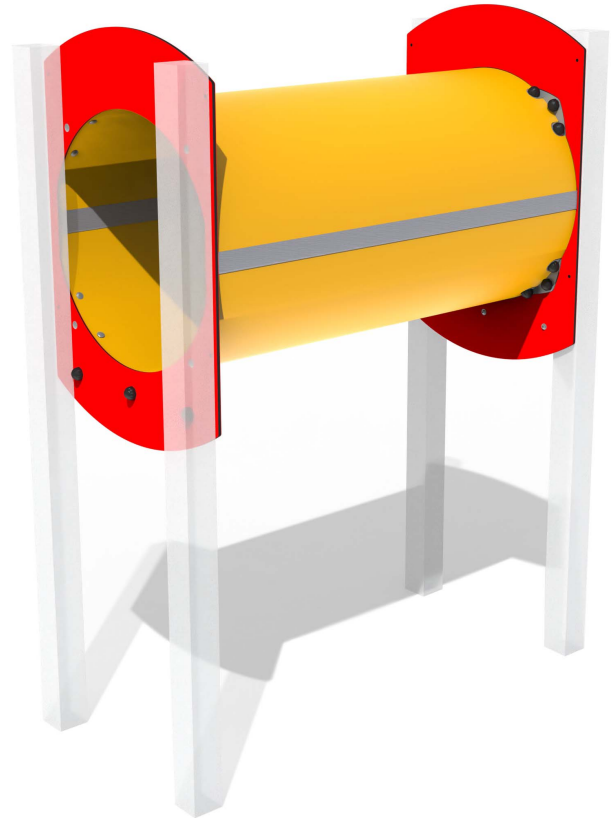
Brackets - Stainless Steel

Supports - Silver Anodised Aluminium

SUPPLY METHOD

Bridge - Pre-assembled and supplied with the fixings needed to attach to platform

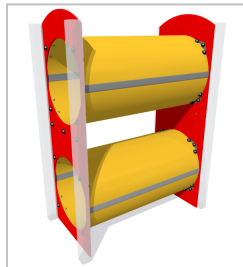
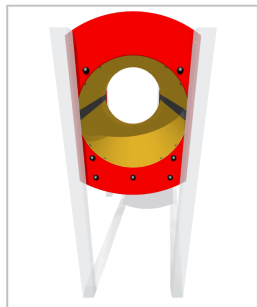
(Fixings to attach to posts not included.)



FEATURES

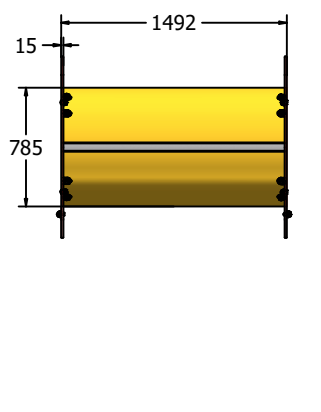
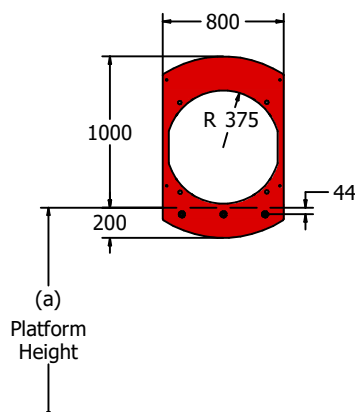


TUNNEL - Crawl Through



Combine with Underpass option - FIMPTU-15

DIMENSIONS



(a)
600mm
900mm
1200mm
1500mm

TECHNICAL

Age Range: 4+ Years

Largest Part: Tunnel Assembly - 1200 x 800 x 1492mm

Heaviest Part: Tunnel Assembly - Approx. 63Kg

Total Weight: Approx. 63Kg

Surfacing: 1.5m from the extents of the equipment with a critical fall height in excess of (a) + 775mm. If higher than 1.5m surfacing extents will increase, consult BS EN 1176 for details

IMPORTANT: you must specify the colour option you require at the time of order if it is different from the colour listed/shown above, requirements are subject to availability at the time of order