

Product Information

FIMPSLB-15 - Multi-Play Sloping Bridge

BS EN 1176 - Designed to British & European Standards

MATERIALS

Panel - High Density **XD^{eco}** Polyethylene (HDPE)

Brackets - Stainless Steel

Ramp - **POLYDEK^{eco}** Recycled HDPE with rubber top layer

SUPPLY METHOD

Bridge - Fully assembled and supplied with the fixings needed to attach to platform

(Fixings to attach to posts **not included**.)

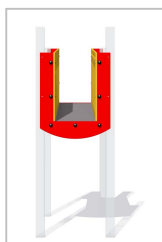
FEATURES



ACTIVE - Sloping bridge

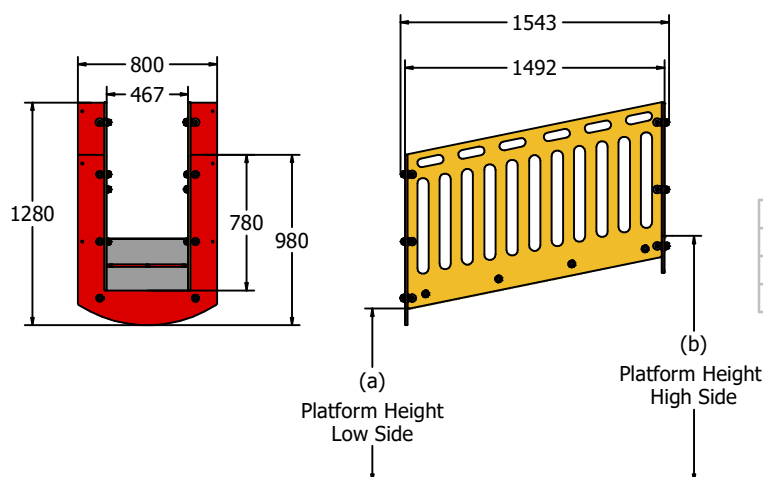


Links two platforms together with 300mm height difference



Polydek Eco Button Grip Surface

DIMENSIONS



TECHNICAL

Age Range: 4+ Years

Largest Part: Bridge Assembly - 1543 x 1280 x 800mm

Heaviest Part: Bridge Assembly - 55Kg

Total Weight: Approx. 55Kg

Surfacing: 1.5m from the extents of the equipment with a critical fall height in excess of (a/b)
If higher than 1.5m surfacing extents will increase, consult BS EN 1176 for details

IMPORTANT: you must specify the colour option you require at the time of order if it is different from the colour listed/shown above, requirements are subject to availability at the time of order