

# Product Information

## FIMPSGL1-15-WP - Multi-Play Single Tower with Recycled Posts

BS EN 1176 - Designed to British & European Standards

### MATERIALS

**Panels** - Two Colour **XDeco** High Density Polyethylene (HDPE)

**Posts** - **ecoPOSTS** Recycled Plastic

**Slide** - Polyethylene with a smooth finish

**Pole** - Stainless Steel

**Rock Holds** - High Density Polyethylene (HDPE) with course texture finish

**Treads** - Recycled Plastic with a wood grain finish on top face

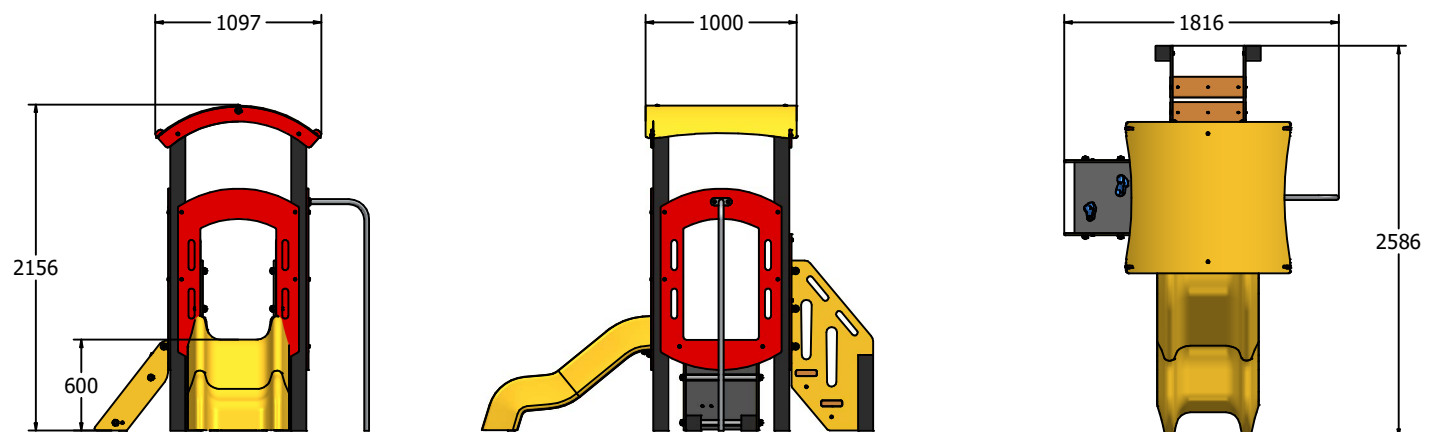
**Deck** - **POLYDEKeco** Recycled HDPE with a rubber top layer

### SUPPLY METHOD

Components supplied separately except for the following preassembled items: **Stairs, Roof & Platform**  
(Supplied **with fixings** to attach to posts.)



### DIMENSIONS



### TECHNICAL

Code	Description	Qty
FIMPCR-15	Multi-Play Curved Roof (REV B - 15)	1
FIMPFP600-15	Multi-Play Fireman's Pole - 0.6m - (REV C - 15)	1
FIMPMSL600-15	Multi-Play Moulded Slide - 0.6m (REV B - 15)	1
FIMPRP600-15	Multi-Play Rock Hold Ramp - 0.6m (REV B - 15)	1
FIMPSP	Multi-Play Square Platform	1
FIMPST600-15	Multi-Play Stairs 0.6m (REV B - 15)	1
FPS0710-A	Multi-Play Recycled Post - 100x100 - 2600mm	4
FPS0711-A	Multi-Play Recycled Post - 100x100 - 900mm	2

**Age Range:** 2+ Years  
**Largest Part:** FPS0710-A- 100 x 100 x 2600 mm  
**Heaviest Part:** FIMPST600-15 - Approx. 25 kg  
**Total Weight:** Approx. 272 kg  
**Free Height of Fall:** 0.6m  
**Free Space:** 4.75 sqm  
**Surfacing Area:** 14.5 sqm (1.5m from the extents of the equipment with a critical fall height in excess of 0.6m)

IMPORTANT: you must specify the colour option you require at the time of order if it is different from the colour listed/shown above, requirements are subject to availability at the time of order

# Product Information

FIMPSGL1-15-WP - Multi-Play Single Tower with Recycled Posts



## FEATURES



**ACTIVE** - Stairs



**SLIDE** - 0.6m plastic slide & fire pole



**SOCIAL** - Space to interact and socialise



**CLIMB** - Rock hold ramp



**SHELTER** - Protection from the elements



**BARRIER** - Barrier panel on stairs

IMPORTANT: you must specify the colour option you require at the time of order if it is different from the colour listed/shown above, requirements are subject to availability at the time of order