

# Product Information

## FIMPNB-15 - Multi-Play Net Bridge

BS EN 1176 - Designed to British & European Standards

### MATERIALS

**Panel** - Two Colour  High Density Polyethylene (HDPE)

**Ropes** - Steel core rope sheathed with braided nylon and joined with aluminium connectors

**Handrails** - Stainless Steel

### SUPPLY METHOD

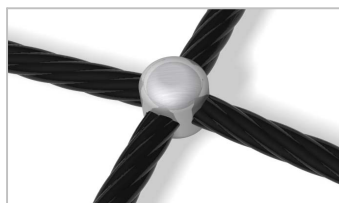
**Bridge** - Net, Handrails & Entry Panels supplied seperately with fixings  
(Fixings to attach to posts not included.)



### FEATURES

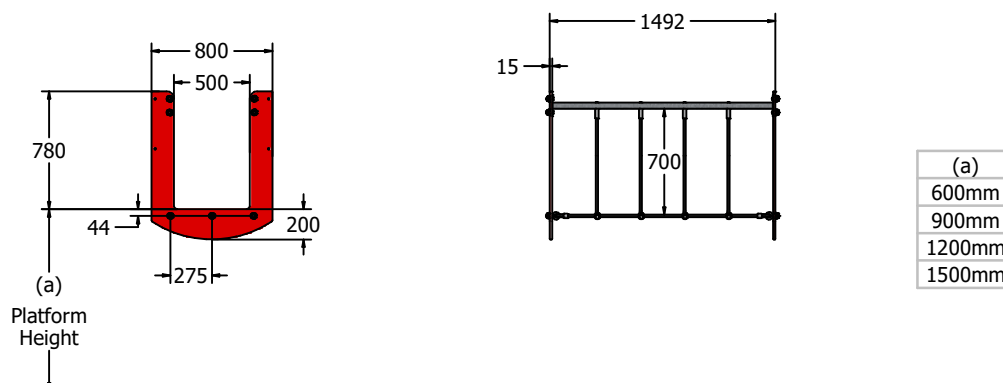


**BALANCE** - Net Bridge



Steel Core Ropes

### DIMENSIONS



### TECHNICAL

**Age Range:** 4+ Years  
**Largest Part:** Net : 575 x 770 x 1492mm  
**Heaviest Part:** Handrail Approx. 11.5kg  
**Total Weight:** Approx. 29kg  
**Surfacing:** 1.5m from the extents of the equipment with a critical fall height in excess of (a).  
 If higher than 1.5m surfacing extents will increase, consult BS EN 1176 for details

IMPORTANT: you must specify the colour option you require at the time of order if it is different from the colour listed/shown above, requirements are subject to availability at the time of order