


Product Information

FIEXPLORERIN - Solar Explorer Insert

BS EN 1176 - Designed to British & European Standards

MATERIALS

Panel - Two Colour  High Density Polyethylene (HDPE)

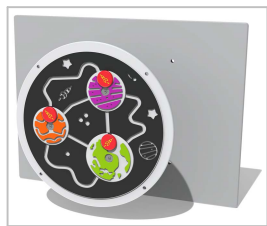
SUPPLY METHOD

Insert - Fully assembled

FEATURES

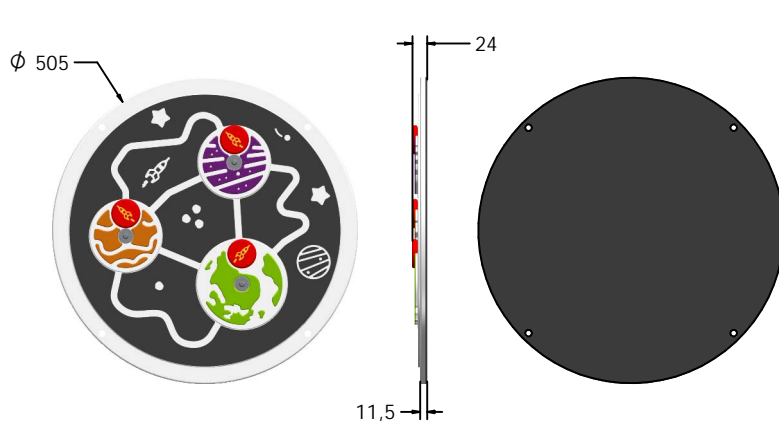
 **SLIDERS** - Rocket Counters

 **ROTATE** - Planet Discs

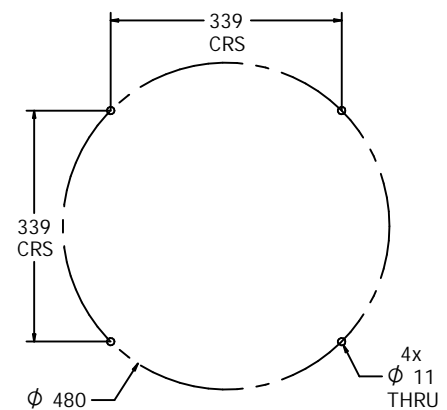


Insert can be easily attached to your own panel

DIMENSIONS



Host panel fixing detail



CAD available on request

TECHNICAL

Age Range: 2+ Years
 Largest Part: FIEXPLORERIN - ϕ 505 x 24mm
 Total Weight: FIEXPLORERIN - 2.6kg
 Surfacing: N/A

IMPORTANT: you must specify the colour option you require at the time of order if it is different from the colour listed/shown above, requirements are subject to availability at the time of order