

# Product Information

## FIEXPCARR - Steam Express Carriage

BS EN 1176 - Designed to British & European Standards

### MATERIALS

**Panels** - Two Colour High Density Polyethylene (HDPE)

**Recycled Profile** - Recycled plastic with textured finish

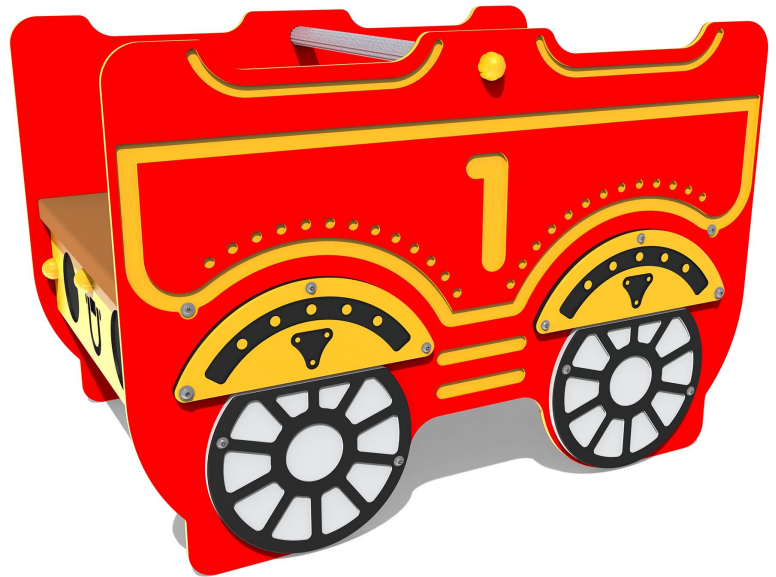
**LumbeRock Benches** - Recycled HDPE milk bottles with a wood grain finish

### SUPPLY METHOD

Carriage - Fully assembled

### FEATURES

 **SOCIAL** - Carriage seating



FIEXPCARR1 - Carriage 1

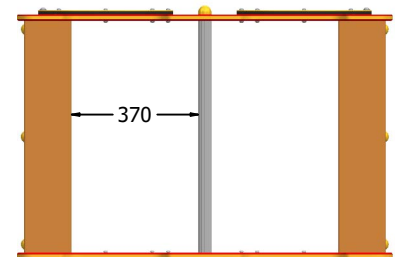
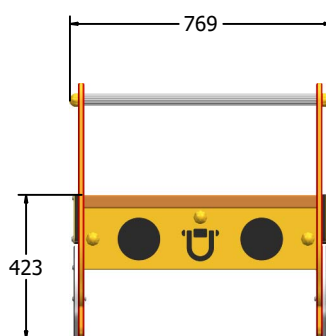
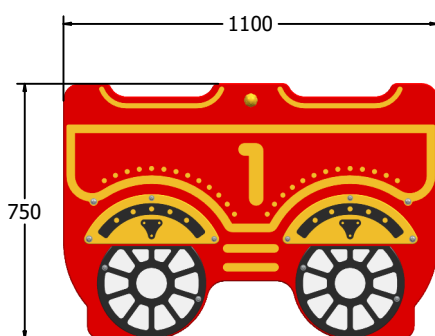


FIEXPCARR2 - Carriage 2



FIEXPCARR3 - Carriage 3

### DIMENSIONS



### TECHNICAL

**Age Range:** 2+ Years  
**Largest Part:** FIEXPCARR1 - 750 x 1000 x 769mm  
**Total Weight:** FIEXPCARR1 - 48kg  
**Surfacing:** N/A

IMPORTANT: you must specify the colour option you require at the time of order if it is different from the colour listed/shown above, requirements are subject to availability at the time of order