

# Product Information

## FIECOTD-WP - Eco-Tongue Drum

BS EN 1176 - Designed to British & European Standards

### MATERIALS

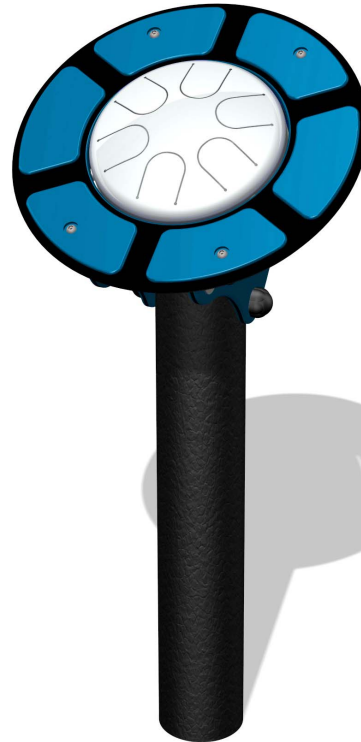
**Panel** - Two Colour High Density Polyethylene (HDPE)

**Post** - 100% recycled plastic with a heavy textured finish

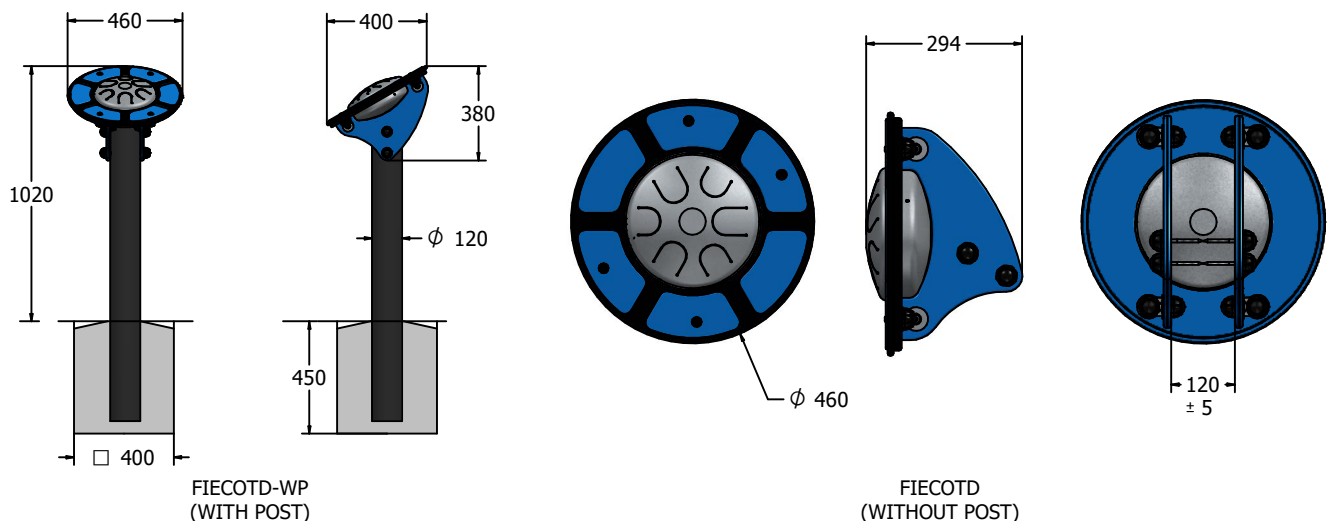
**Tongue Drum** - Stainless steel with brushed finish

### SUPPLY METHOD

**Panel & Post** - Fully assembled



### DIMENSIONS



### TECHNICAL

**Age Range:** 2+ Years  
**Largest Part:** FIECOTD-WP - 1470 x 460 x 400mm  
**Heaviest Part:** Head Assembly - 6kg  
**Total Weight:** 17Kg  
**Surfacing:** N/A

**Age Range:** 2+ Years  
**Largest Part:** FIECOTD - O460 x 294mm  
**Total Weight:** 6kg  
**Surfacing:** N/A

IMPORTANT: you must specify the colour option you require at the time of order if it is different from the colour listed/shown above, requirements are subject to availability at the time of order