

Product Information

FIECOFLATLOW-WP - Eco-Flat Chimes - Low

BS EN 1176 - Designed to British & European Standards


MATERIALS


- Panels** - Two Colour High Density Polyethylene (HDPE)
- Posts** - 100% recycled plastic with a heavy textured finish
- Chimes** - Multi-coloured anodised aluminium flat chimes

SUPPLY METHOD

- Panel** - Assembled
- Posts** - Includes post caps
- Beaters** - Assembled

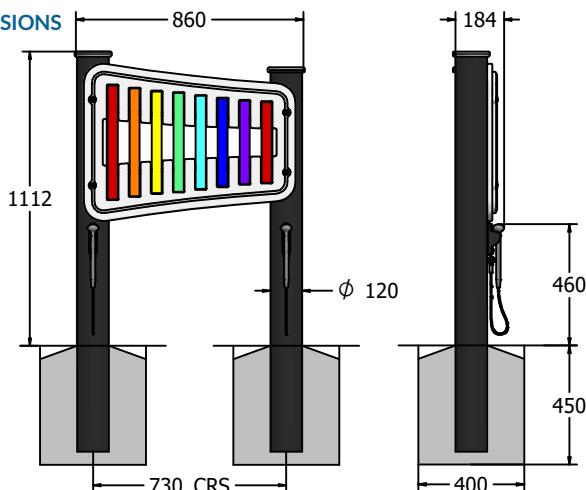
FEATURES

 **INCLUSIVE** - Chimes positioned at easily accessible height

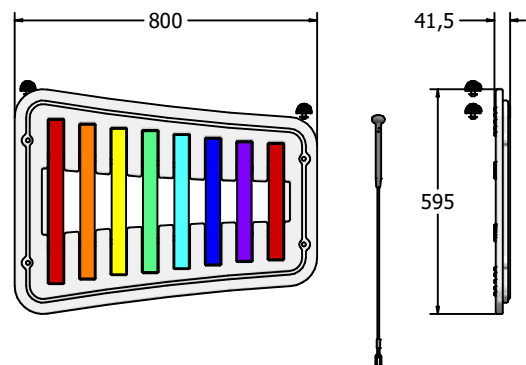
 **MUSICAL** - Set of 8 musically tuned chimes



DIMENSIONS



FIECOFLATLOW-WP
(WITH POSTS)



FIECOFLATLOW
(WITHOUT POSTS)

TECHNICAL

Age Range: 2+ Years
Largest Part: FIECOFLATLOW-WP - 1552 x 860 x 184mm
Heaviest Part: Panel Assembly - 11.5kg Approx.
Total Weight: 39kg Approx.
Surfacing: N/A

Age Range: 2+ Years
Largest Part: FIECOFLATLOW - 595 x 800 x 41.5mm
Total Weight: 11.5kg Approx.
Surfacing: N/A

IMPORTANT: you must specify the colour option you require at the time of order if it is different from the colour listed/shown above, requirements are subject to availability at the time of order