

Product Information

FIECOCH-WP - Eco Chimes

BS EN 1176 - Designed to British & European Standards

MATERIALS

Panels - Two Colour High Density Polyethylene (HDPE)

Post - 100% recycled plastic with a heavy textured finish

Chimes - Multi-coloured anodised aluminium tube chimes

SUPPLY METHOD

Panel - Assembled

Posts - T-slot stops & post caps

Beaters - Assembled

FEATURES



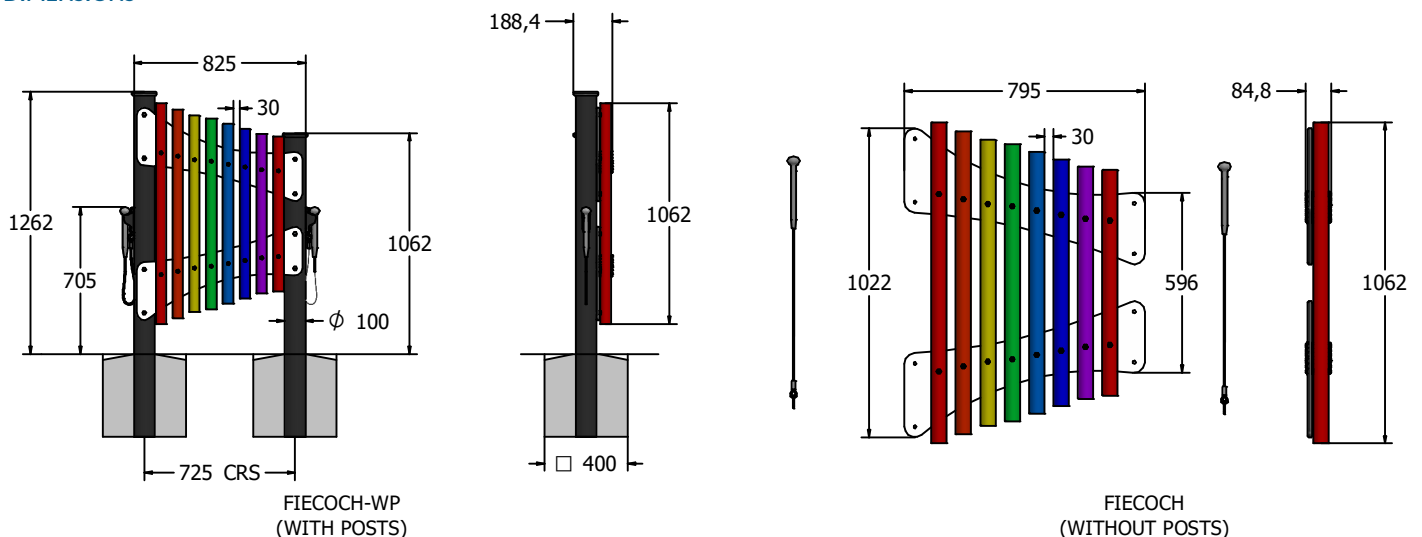
INCLUSIVE - Chimes positioned at easily accessible height



MUSICAL - Set of 8 musically tuned chimes



DIMENSIONS



TECHNICAL

Age Range: 2+ Years
Largest Part: FIECOCH-WP - 1662 x 870 x 194mm
Heaviest Part: Panel Assembly - 15kg Approx.
Total Weight: 36kg Approx.
Surfacing: N/A

Age Range: 2+ Years
Largest Part: FIECOCH - 1036 x 820 x 83mm
Total Weight: 15kg Approx.
Surfacing: N/A

IMPORTANT: you must specify the colour option you require at the time of order if it is different from the colour listed/shown above, requirements are subject to availability at the time of order