

# Product Information

## FICONCAVE - Concave Mirror Panel

BS EN 1176 - Designed to British & European Standards

### MATERIALS

Panels - Two Colour  High Density Polyethylene (HDPE)

### SUPPLY METHOD

Panel - Fully assembled

### FEATURES



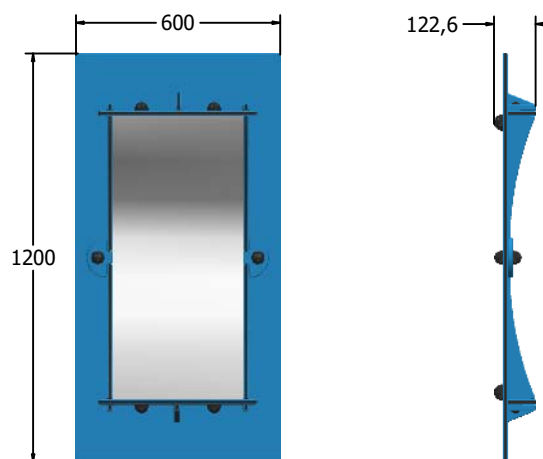
**MIRROR** - Reflective Panel



**INCLUSIVE** - Mirror positioned at accessible height



### DIMENSIONS



FICONCAVE  
FICONCAVE-AL-WP

Standard Panel  
Panel with Alu Posts

### TECHNICAL

Age Range: 2+ Years  
Largest Part: 1200 x 600 x 122.6mm  
Total Weight: 12.8kg Approx.  
Surfacing: N/A

IMPORTANT: you must specify the colour option you require at the time of order if it is different from the colour listed/shown above, requirements are subject to availability at the time of order