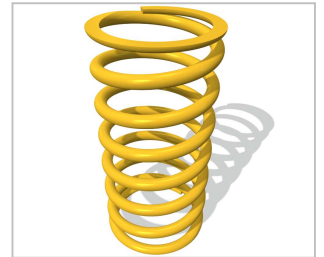
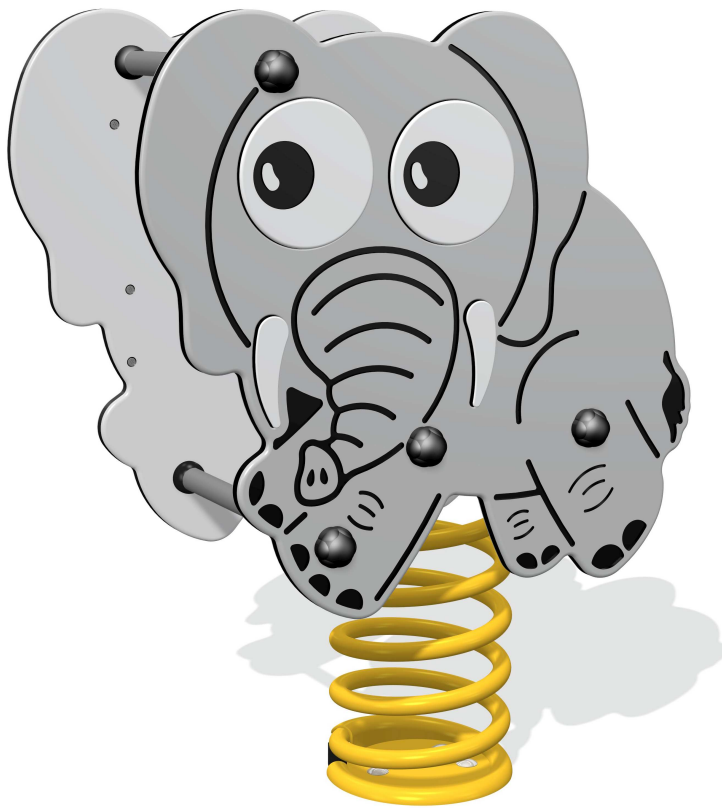
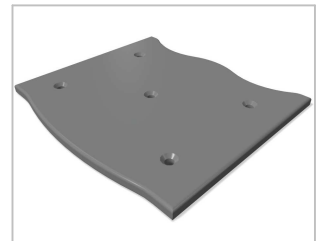


# Product Information

## FS2020 - Sit-In Ellie Elephant Spring Rocker

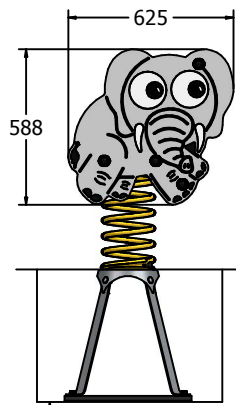
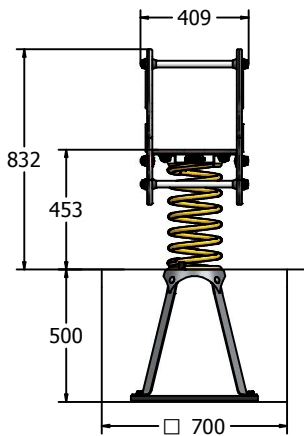


High Quality Steel Spring



Smooth Polydek Seat

Designed to British & European  
Standard BS EN 1176



Foundation back-filled

Supply Method

Elephant Assembly  
Assembled with Fixing Pack  
& Instructions

400mm Spring Assembly  
Fully Assembled

Ground Anchor  
Loose Components with Fixing Pack  
& Instructions

Age Range: 2+ Years  
Largest Part: Elephant Assembly - 625x588x409mm  
Heaviest Part: Spring Assembly 20 Kg approx.  
Total Weight: 38.5 Kg approx.  
FFH (Free Fall Height): 453mm  
Surfacing : 1m from extremes of equipment with a Critical Fall Height in excess of 600mm

| Inspection Schedule | Inspection Frequency |
|---------------------|----------------------|
| Visual              | Every Month          |
| Functionality       | Every Month          |
| Comprehensive       | Every 6 Months       |

Material: **Design Panel** - High Density Polyethylene (HDPE) with orange peel texture finish  
**Spring & Brackets** - Powder coated steel  
**Ground Anchor** - Galvanised steel

Colour Choices: **Design Panel** - Broad selection available, visit the website below for further details