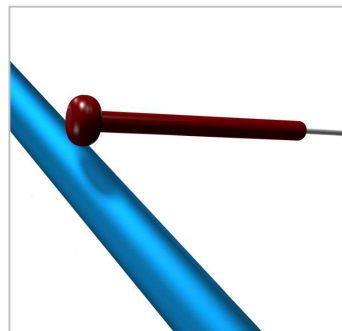


Product Information

Eco-Multi Chimes (8 Piece Set)

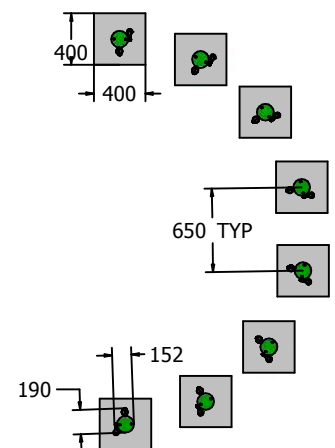
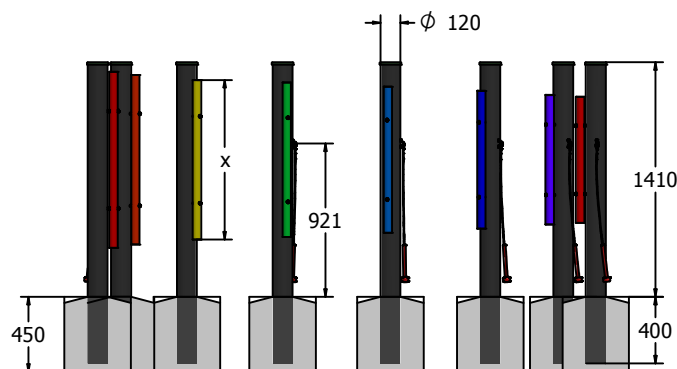


Moulded beater & cable attachment

- **FIECOM8-WP** - with recycled plastic post

- **FIECOM8** - without post

| Tube Length (x) | | |
|-----------------|-------------|--------|
| Note | Length (mm) | Colour |
| C4 | 1060 | Red |
| D4 | 1019 | Orange |
| E4 | 960 | Yellow |
| F4 | 929 | Green |
| G4 | 879 | Blue |
| A4 | 829 | Indigo |
| B4 | 779 | Violet |
| C5 | 759 | Red |



Age Range: 2+ Years
 Largest Part: FIECOM8-WP - Assembled Posts (x4): 1810x152x190
 FIECOM8 - C4 Chime: 1060 x ϕ 50.8
 Heaviest Part: FIECOM8-WP - Single Assembled Post: 18kg Approx.
 FIECOM8 - Chime: 0.5kg Approx.
 Total Weight: FIECOM8-WP - 144kg Approx.
 FIECOM8 - 6kg Approx.
 Surfacing : N/A

Designed to
British & European
Standard BS EN 1176

Material: **XD Panel** - High Density Polyethylene (HDPE) with orange peel texture finish (Recycled black core)
Aluminium Tubes - Anodised with a smooth finish in various colours
Recycled Posts - Made from 100% recycled plastic with a heavy textured finish

Colour Choices: **XD Panel** - Broad selection available, visit the website below for further details