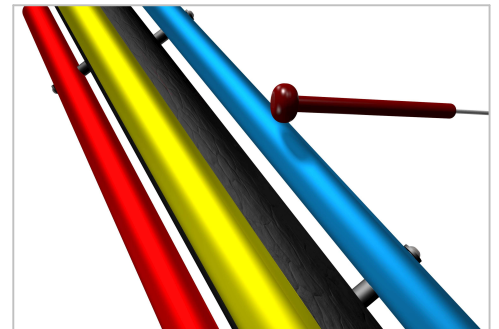


Product Information

Eco-Chimes Quartet

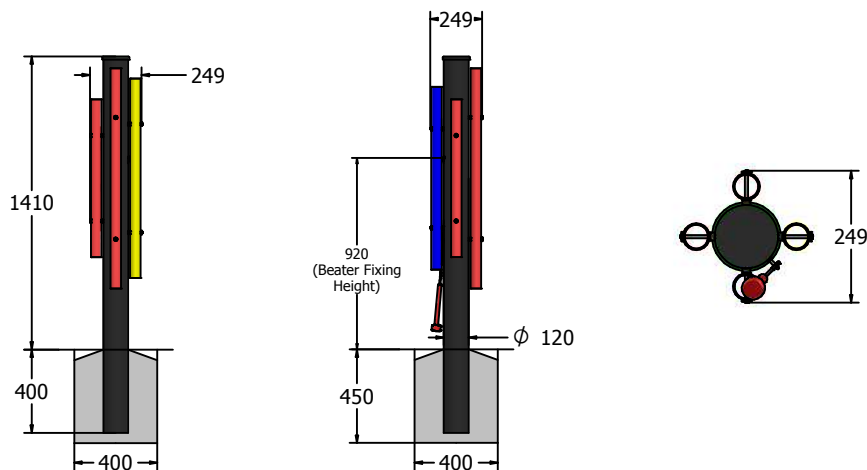


Moulded Beater & Cable Attachment

- **FIECOCQ-WP** - with recycled plastic post

- **FIECOCQ** - without post

Designed to British & European Standard BS EN 1176



Age Range: 2+ Years
 Largest Part: FIECOCQ-WP - Complete - 1610x249x249
 FIECOCQ - C4 Chime - 1060x53x50.8
 Heaviest Part: FIECOCQ-WP - Complete: 19kg Approx.
 FIECOCQ - C4 Chime: 0.5kg Approx.
 Surfacing : N/A

Minimum Inspection Schedule	
Inspection Type	Inspection Frequency
Visual	Every Month
Functionality	Every Month
Comprehensive	Every 6 Months

Material: **XD Panel** - High Density Polyethylene (HDPE) with orange peel texture finish (Recycled black core)
Aluminium Tubes - Anodised with a smooth finish in various colours
Recycled Posts - Made from 100% recycled plastic with a heavy textured finish

Colour Choices: **XD Panel** - Broad selection available, visit the website below for further details