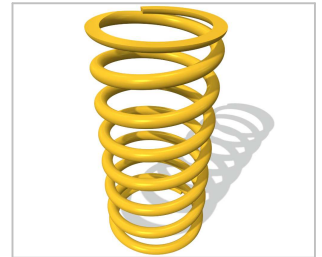
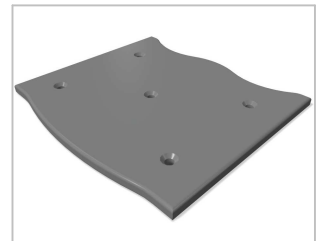


Product Information

FS2014 - Sit-In Bumble Bee Spring Rocker

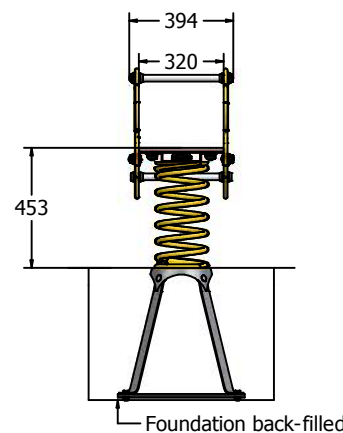
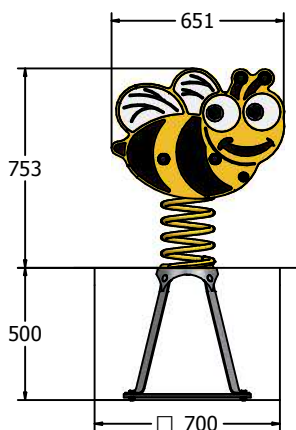


High Quality Steel Spring



Smooth Polydek Seat

Designed to British & European Standard BS EN 1176



Supply Method

Bumble Bee Assembly
Assembled with Fixing Pack & Instructions

400mm Spring Assembly
Fully Assembled

Ground Anchor
Loose Components with Fixing Pack & Instructions

Age Range: 2+ Years
Largest Part: Bumble Bee Assembly - 490 x 651 x 394
Heaviest Part: Spring Assembly 20 Kg approx.
Total Weight: 33 Kg approx.
FFH (Free Fall Height): 453mm
Surfacing : 1m from extremes of equipment with a Critical Fall Height in excess of 453mm

Inspection Schedule	Inspection Frequency
Visual	Every Month
Functionality	Every Month
Comprehensive	Every 6 Months

Material: **Design Panel** - High Density Polyethylene (HDPE) with orange peel texture finish
Spring & Brackets - Powder coated steel
Ground Anchor - Galvanised steel

Colour Choices: **Design Panel** - Broad selection available, visit the website below for further details