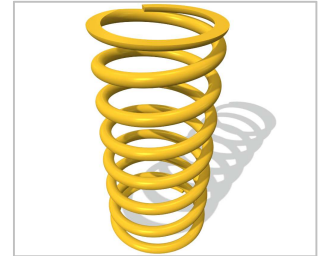
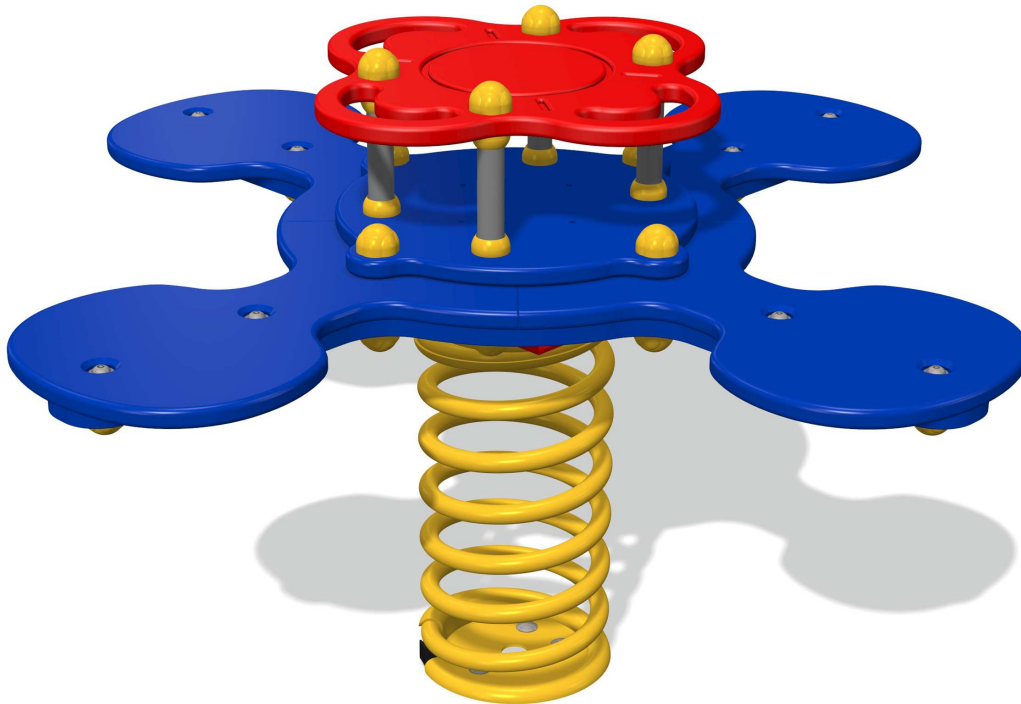


# Product Information

## FSSR4-B - 4-Way Spring Rocker

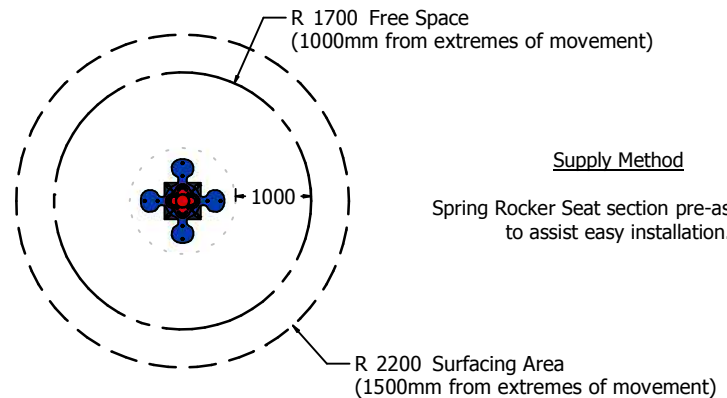
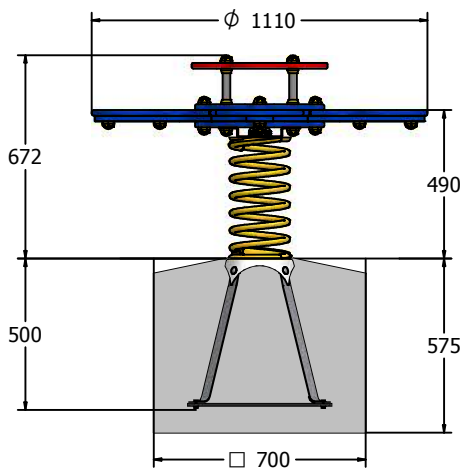


Heavy Duty Steel Spring



Steel Reinforced Seat

Designed to British & European  
Standard BS EN 1176



### Supply Method

Spring Rocker Seat section pre-assembled  
to assist easy installation.

Age Range: 3 to 7  
Largest Part: Spring Rocker Seat Assembly 1110 x 1110 x 125mm  
Total Weight: 46.5kg approx.  
Heaviest Part: Seat Assembly - 23.5kg approx.  
Free Height of Fall (FFH): 672mm  
Surfacing : 1.5m from the extremes of the equipment with a Critical Fall Height in excess of 672mm

Material: **Design Panel** - High Density Polyethylene (HDPE) with orange peel texture finish  
**Spring & Brackets** - Powder coated steel  
**Ground Anchor** - Galvanised steel

Colour Choices: **Design Panel** - Broad selection available, visit the website below for further details