

Product Information

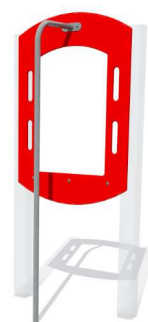
Multi-Play Fireman's Pole



FIMPPF1200-B
(For 1.2m Platform)



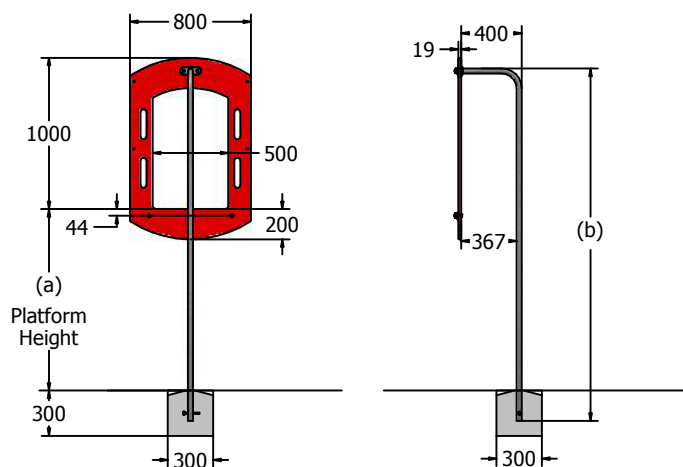
FIMPPF600-B
(For 0.6m Platform)



FIMPPF900-B
(For 0.9m Platform)



FIMPPF1500-B
(For 1.5m Platform)



(a)	(b)
600mm	1730mm
900mm	2030mm
1200mm	2330mm
1500mm	2660mm

Designed to
British & European
Standard BS EN 1176

Age Range: 4+ Years
Largest Part: Stainless Steel Pole diameter 34mm x (b)
Heaviest Part: Entry Panel Approx. 8.5kg
Total Weight: Approx. (0.6m = 15kg), (0.9m = 16kg), (1.2m = 17kg), (1.5m = 18kg)
Free Space: Cylinder 1m diameter x 1.8m high surrounding the pole
Surfacing : 1.5m from the extents of the equipment with a critical fall height in excess of (a)

Material: **Design Panel** - High Density Polyethylene (HDPE) with orange peel texture finish
Stainless Steel - 304 grade stainless steel with dull polish (brushed) finish

Colour Choices: **Design Panel** - Broad selection available, visit the website below for further details

Included
- Fixings for panel to platform
Not Included
- Platform (available separately)
- 4x Fixings for panel to posts
- Posts