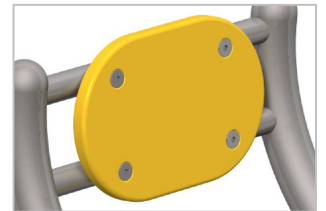


Product Information

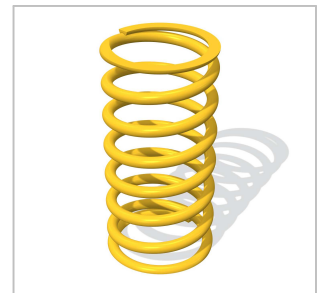
FSCURVIN - Curve Sit-In Spring Rocker



Stainless Steel Tube Frame

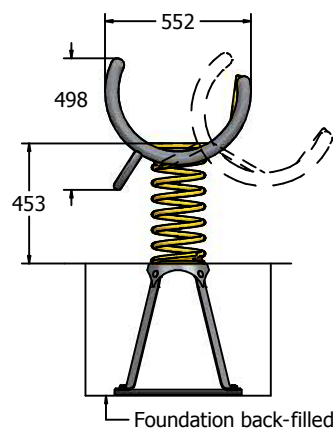
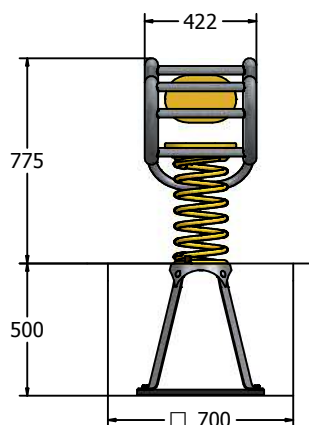


Hard-wearing HDPE Seat



Durable Powder Coated Spring

Designed to British & European
Standard BS EN 1176



Supply Method

Seat & Frame Assembly
Assembled (Seat Loose) with Fixing
Pack & Instructions.

400mm Spring Assembly
Assembled (Top Loose) with Fixing
Pack & Instructions

Ground Anchor
Loose Components with Fixing Pack
& Instructions

Age Range: 2+ Years
Largest Part: Seat & Frame Assembly 497 x 552 x 422mm
Heaviest Part: Spring Assembly 13 Kg approx.
Total Weight: 36 Kg approx.
FFH (Free Fall Height): 453mm height at extremes of movement from centre of seat
Surfacing : 1m from extremes of equipment with a Critical Fall Height in excess of 453mm

Inspection Schedule	Inspection Frequency
Visual	Every Month
Functionality	Every Month
Comprehensive	Every 6 Months

Material: **Design Panel** - High Density Polyethylene (HDPE) with orange peel texture finish
Spring Rocker Frame - Stainless Steel (304) with brushed finish
Spring & Brackets - Powder coated steel
Ground Anchor - Galvanised steel

Colour Choices: **Design Panel** - Broad selection available, visit the website below for further details