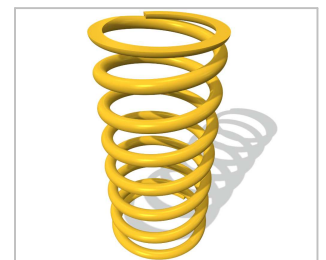
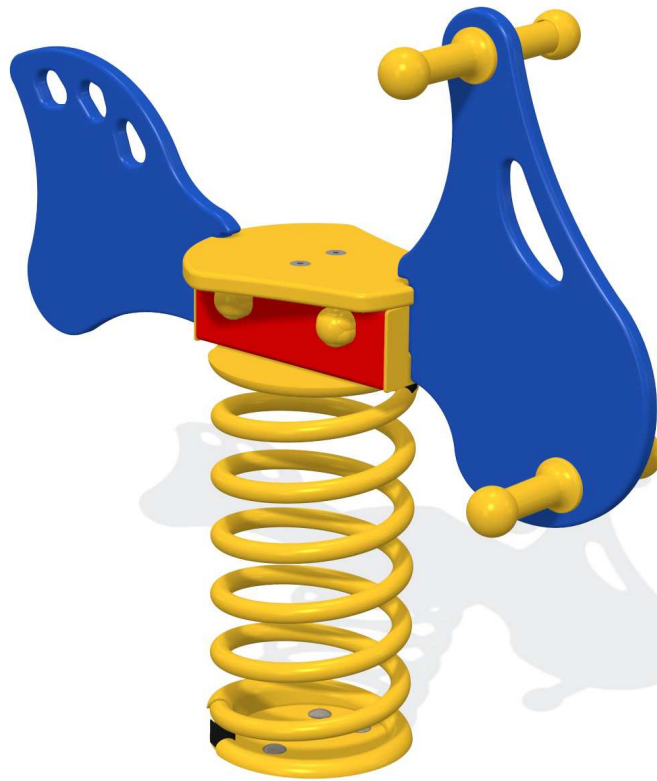


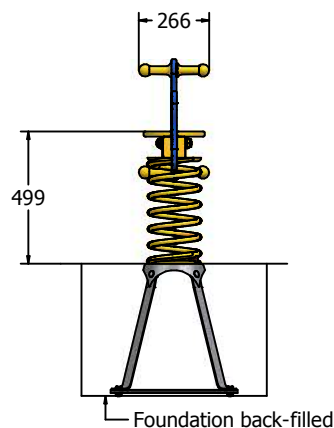
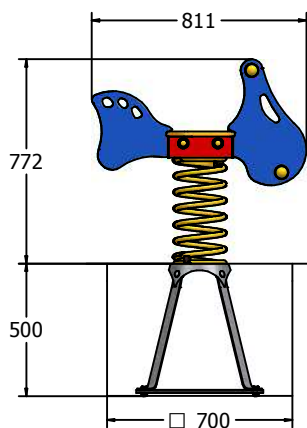
# Product Information

## FS1010 - Sit-On Space Rider Spring Rocker



High Quality Steel Spring

Designed to British & European  
Standard BS EN 1176



Supply Method  
Space Rider Assembly  
Part-assembled with Fixing  
Pack & Instructions.  
400mm Spring Assembly  
Fully Assembled  
Ground Anchor  
Loose Components with Fixing Pack  
& Instructions

Age Range: 2+ Years  
Largest Part: Spring Assembly - 565 x 240 x 200mm  
Heaviest Part: Spring Assembly 20 Kg approx.  
Total Weight: 30 Kg approx.  
FFH (Free Fall Height) 499mm  
Surfacing : 1m from extremes of equipment with a Critical Fall Height in excess of 499mm

Inspection Schedule	Inspection Frequency
Visual	Every Month
Functionality	Every Month
Comprehensive	Every 6 Months

Material: **Design Panel** - High Density Polyethylene (HDPE) with orange peel texture finish  
**Spring & Brackets** - Powder coated steel  
**Ground Anchor** - Galvanised steel

Colour Choices: **Design Panel** - Broad selection available, visit the website below for further details